



# MKH 8040

## MKH 8040 Stereoset

Quick Guide  
Kurzanleitung  
Guide rapide  
Guía rápida  
Guía de inicio rápido  
Guia rápido  
Beknopte handleiding  
Krátká instrukcja obsługi  
Snabbguide

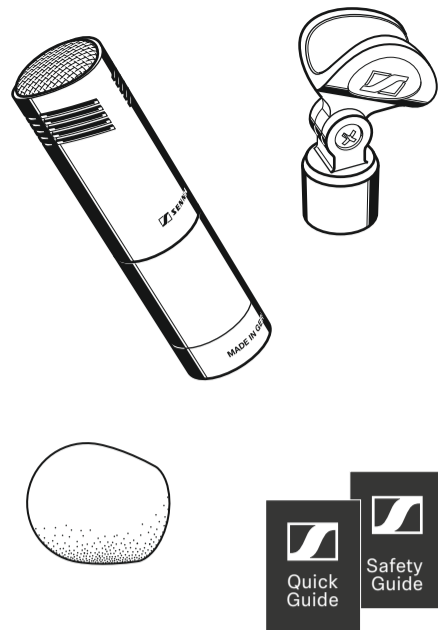
Kort vejledning  
Pikaohje  
Γρήγορος οδηγός  
Kısa Kılavuz  
Краткая инструкция  
快速指南  
快速使用指南  
クイックガイド  
퀵 가이드

**SENNHEISER**

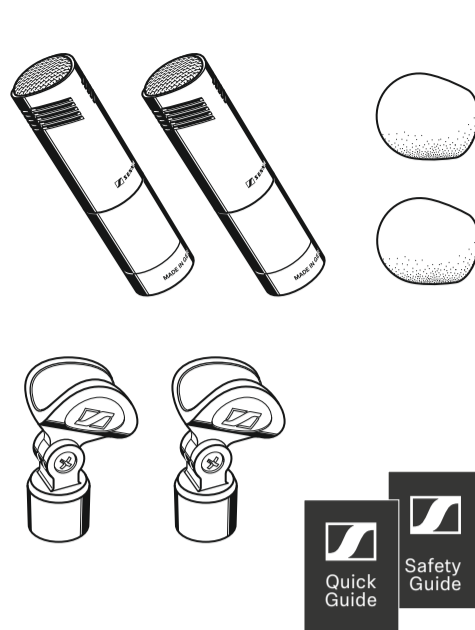
Sennheiser electronic SE & Co. KG  
Am Labor 1, 30900 Wedemark, Germany  
www.sennheiser.com  
Printed in Germany, Publ. 07/24, 581391/A05

### In the box

MKH 8040

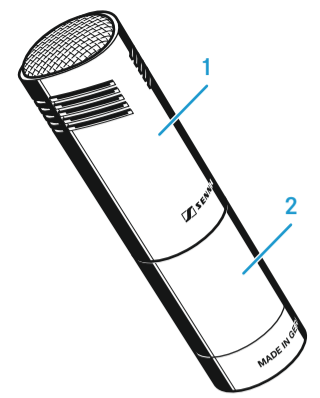


MKH 8040 Stereoset

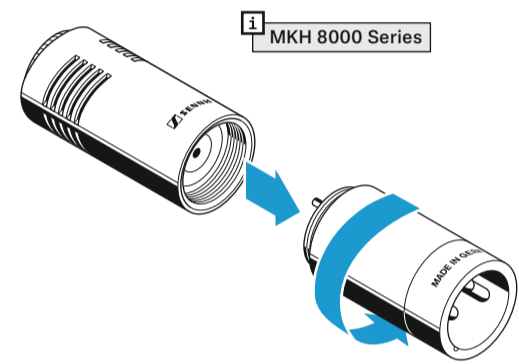
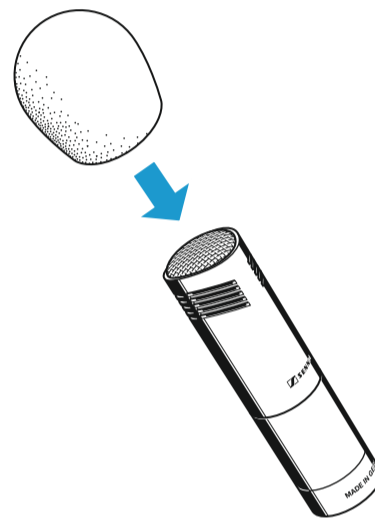
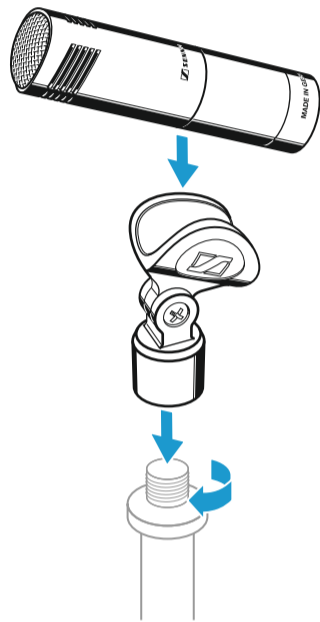


### Overview

- 1 Microphone head
- 2 XLR module

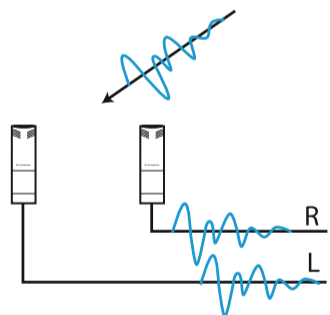


### Setup

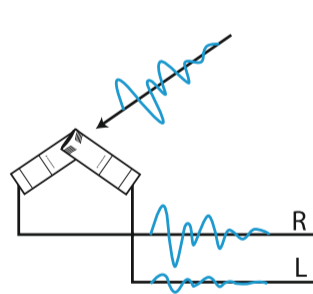


### Stereo recording

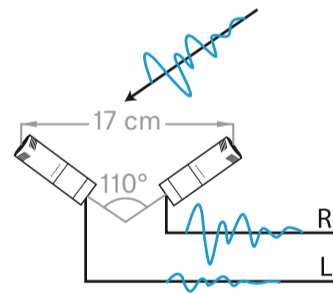
**Time-of-arrival stereo (AB):**  
(almost) only time-of-arrival differences



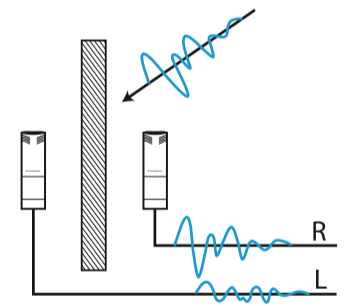
**Intensity stereo (XY):**  
only sound pressure level differences



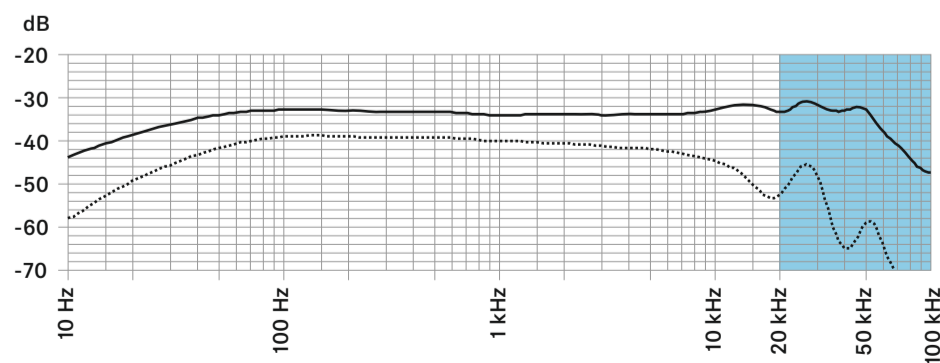
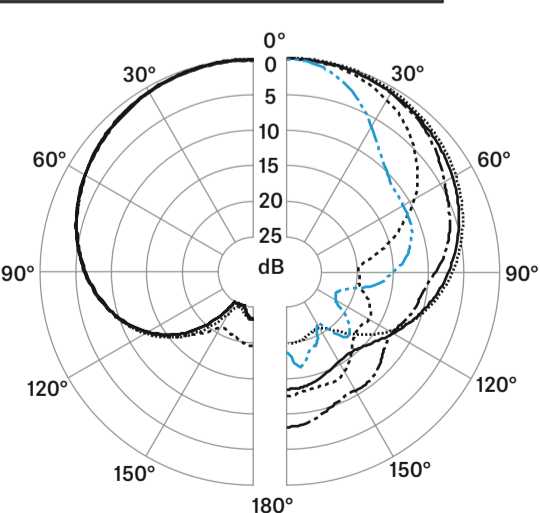
**Equivalence or mixed stereo (here: ORTF):**  
sound pressure level and time-of-arrival differences



**Baffle stereo (here: OSS):**  
sound pressure level, time-of-arrival and spectral differences with off-axis sound



### Polar pattern and frequency response



125 Hz ..... 2,000 Hz .....  
250 Hz ——— 4,000 Hz ———  
500 Hz ——— 8,000 Hz - - -  
1,000 Hz ..... 16,000 Hz .....  
32,000 Hz - - -

..... 90°  
——— 0°

### Specifications

Pick-up pattern	cardioid
Frequency response	30 - 50,000 Hz
Sensitivity	-34 dBV/Pa (31 mV/Pa) with MZF 8000 II -44 dBV/Pa (10 mV/Pa)
Max. SPL	142 dB with MZF 8000 II 137 dB
Equivalent noise level	13 dB(AA) 22 dB (CCIR)
Phantom powering	48 V ±4 V (P48, IEC 61938)
Current consumption	3.3 mA
Diameter	approx. 19 mm
Length	approx. 41 mm with MZF 8000 II approx. 74 mm
Weight	approx. 25 g with MZF 8000 II approx. 55 g
Operating temperature	-10 °C to 60 °C

# MKH 8000 Series

## Microphone and accessories overview



**MKH 8020**  
RF-condensor mic, omni



**MKH 8030**  
RF-condensor mic, fig-of-eight



**MKH 8040**  
RF-condensor mic, cardioid



**MKH 8050**  
RF-condensor mic, super-cardioid



**MKH 8090**  
RF-condensor mic, cardioid, wide cardioid

### Delivery included accessories



**MZX 8000**  
XLR module



**MZQ 8000**  
Mic clamp



**MZW 8000 / MZW 8030**  
Foam windshield for  
MZW 8030 for MKH 8030, all others: MZW 8000

### Optional accessories



**MZF 8000 II**  
Screw filter module MZF 8000 II at suitable place  
between microphone head and XLR module.



**MZL 8003**  
Connecting cable, 3 m



**MZL 8010**  
Connecting cable, 10 m

### Microphone stand



Microphone stand  
Vertical bar & foot stand



**MZE 8060 / MZE 8120**  
Extension tube 0.60 m / 1.20 m



**MZGE 8000**  
Tube connector



**MZEF 8060 / MZEF 8120**  
Vertical bar 0.60 m / 1.20 m



**MZFS 8000**  
Floor stand

### Table / Ceiling mounting



**MZT 8000**  
Table stand



**MZH 8042**  
Goose neck



**MZH 8000**  
Ceiling mount



**MZQ 8001**  
Mini clip



**MZG 8000**  
Swivel joint



**MZS 31**  
Shockmount

### Shotgun microphones

#### Delivery included accessories



**MKH 8060**  
RF-condensor mic, short shotgun



**MKH 8070**  
RF-condensor mic, long shotgun



**MZX 8000**  
XLR module



**MZW 8060 / MZW 8070**  
Foam windshield  
MZW 8060 for MKH 8060  
MZW 8070 for MKH 8070



**MZQ 8060**  
Mic clamp

#### Optional accessories



**MZF 8000 II**  
Screw filter module MZF 8000 II at suitable place  
between microphone head and XLR module.



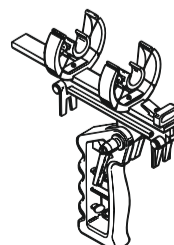
**MZL 8003**  
Connecting cable, 3 m



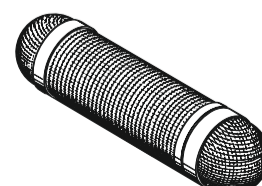
**MZL 8010**  
Connecting cable, 10 m



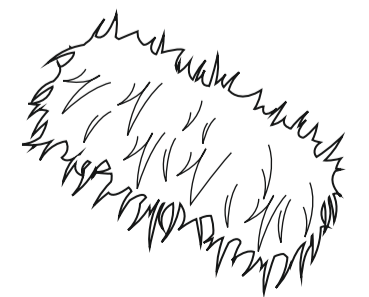
### Outdoor use



**MZS 20-1**  
Pistol grip



**MZW 20-1 / MZW 80**  
short windshield basket / long windshield basket



**MZH 20-1 / MZH 80**  
Wind muff for MZW 20-1 / for MZW 80