



SPECTERA

DAD (UHF) | DAD (1G4)

Digital Antenna Directional



SPECTERA DAD (UHF)



SPECTERA DAD (1G4)

The transceiving Spectera Digital Antenna Directional (DAD) manages IEM signals, mic/line signals and data simultaneously. It provides continuous interference management and remote control, and is equipped with a ruggedized RJ45 connector, IP54 protection, and PoE.

FEATURES

- Transceiving antenna manages IEM signals, mic/line signals, and data simultaneously
- Available variants: UHF (470 – 608 MHz and 630 – 698 MHz) or 1G4 (1350 – 1400 MHz and 1435 – 1525 MHz)
- Integrated RF components eliminate the need for additional dedicated RF gear such as combiners, splitters, or boosters
- Ruggedized RJ45 connector for standard network cable CAT 5e or higher (point to point)
- Continuous interference management and remote control
- IP54 protection
- Optional use as dedicated fast and high-quality scanning device
- Powered over ethernet (standard PoE)

DELIVERY INCLUDES

- SPECTERA DAD (UHF) or SPECTERA DAD (1G4)
- Quick guide
- Safety guide
- Manufacturer declaration sheet

PRODUCT VARIANTS

SPECTERA DAD (UHF)	470 – 608 MHz, 630 – 698 MHz	Art. no. 509169
SPECTERA DAD (1G4)	1350 – 1400 MHz 1435 – 1525 MHz	Art. no. 509170

ACCESSORIES

Antenna cable cat 5e (10 m)	with NEUTRIK® etherCON® connectors	Art. no. 700068
Antenna cable cat 5e (25 m)	with NEUTRIK® etherCON® connectors	Art. no. 700069
Antenna cable cat 5e (50 m)	with NEUTRIK® etherCON® connectors	Art. no. 700070



SPECTERA

DAD (UHF) | DAD (1G4)

Digital Antenna Directional

SPECIFICATIONS

System

Transmission scheme	Multicarrier, TDMA, TDD
RF channel	Bandwidth: 6 or 8 MHz countrywise limited Mobiles devices: up to 128 per RF channel Audio links: up to 128 per RF channel
Radio frequency range	UHF: 470 - 608 MHz, 630 - 698 MHz 1G4: 1350 - 1400 MHz, 1435 - 1525 MHz countrywise limited
Audio frequency response	20 Hz to 20,000 Hz (± 1 dB)
Encryption	AES 256 CTR Mode exp. >10k years

Audio link modes

MIC/LINE	Mono	Max links per RF carrier	Utilized % of RF carrier	Audio codec	Latency	Range
Raw Low Latency	Mono	8	12.50 %	PCM	1.0 ms	Reduced
Raw	Mono	16	6.25 %	PCM	1.6 ms	Reduced
Live Low Latency	Mono	8	12.50 %	SeDAC	1.0 ms	Extended
Live	Mono	16	6.25 %	SeDAC	1.6 ms	Extended
Live Link Density	Mono	32	3.13 %	SeDAC	2.7 ms	Standard
Max Range	Mono	16	6.25 %	OPUS	9.9 ms	Maximum
Max Link density	Mono	128*	0.78 %	OPUS	15.2 ms	Reduced

IEM/IFB	Mono/ Stereo	Max links per RF carrier	Utilized % of RF carrier	Audio codec	Latency	Range
Live	Mono	16	6.25 %	SeDAC	1.6 ms	Extended
Live Link Density	Mono	32	3.13 %	SeDAC	2.7 ms	Standard
Max Range	Mono	16	6.25 %	OPUS	9.9 ms	Maximum
Max Link density	Mono	128*	0.78 %	OPUS	15.2 ms	Reduced
Live Ultra Low Latency	Stereo	4 (8 ch)	25 %	SeDAC	0.7 ms	Extended
Live Low Latency	Stereo	8 (16 ch)	12.50 %	SeDAC	1.1 ms	Extended
Live	Stereo	16 (32 ch)	6.25 %	SeDAC	1.6 ms	Standard
Live Link Density	Stereo	32 (64 ch)**	3.13 %	SeDAC	2.7 ms	Reduced

* Base Stations have 32 audio outputs, for 128 links in a single RF channel, 4 Base Stations and firmware update with cascade port function are required (future release)

** Base Stations have 32 audio inputs, for 32 stereo links (64 ch) in a single RF channel, 2 Base Stations and firmware update with cascade port function are required (future release)



SPECTERA

DAD (UHF) | DAD (1G4)

Digital Antenna Directional

SPECIFICATIONS

SPECTERA DAD (UHF) | DAD (1G4)

RF transmission power	up to 100 mW; countrywise limited	
RF channels	1	
Base Station connection	Ruggedized RJ45 including PoE, max. 100 m cable, CAT5e or better, 1 Gbit/s	
Power consumption	PoE class 2 (<6.5 W)	
Apex angle	vertical	horizontal
	UHF: 65 ° 1G4: 62 °	UHF: 109 ° 1G4: 93 °
Front to back ratio	UHF: 15 dB 1G4: 17 dB	
Gain	UHF: 5 dB 1G4: 6.5 dB	
Threads for tripod mounting	yes / Adapter 3/8" to 5/8"	
Dimensions	UHF: 349 x 292 x 39 mm (13.74" x 11.5" x 1.54")	
	1G4: 231 x 205 x 39 mm (9.09" x 8.07" x 1.54")	
Weight	UHF: approx. 676 g (1.49 lbs)	
	1G4: approx. 534 g (1.18 lbs)	
Temperature	Operation: -10 °C to +60 °C (14 °F to 140 °F)	
	Storage: -25 °C to +80 °C (-13 °F to 176 °F)	
Relative humidity	25 % to 95 % (non-condensing)	
IP class	IP54	



SPECTERA

DAD (UHF) | DAD (1G4)

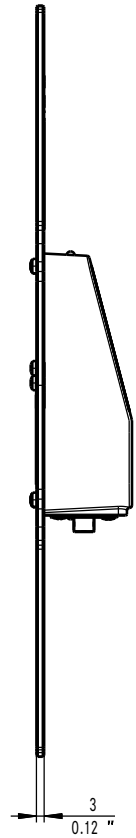
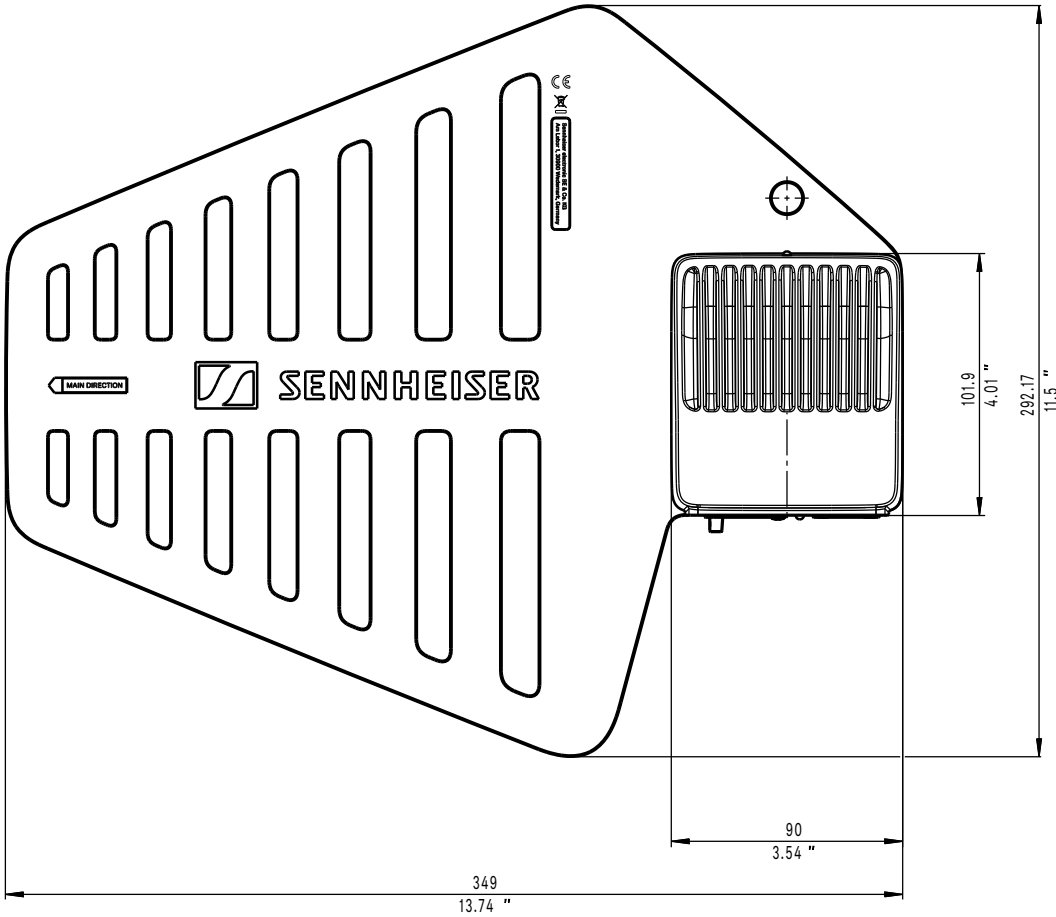
Digital Antenna Directional

DIMENSIONS

DAD (UHF)

Buchse RJ45 (robuste Ausführung) /
jack RJ45 (ruggedized)

Stativgewindeeinsatz 3/8"- 5/8" UNC /
tripod thread insert 3/8"- 5/8" UNC





SPECTERA

DAD (UHF) | DAD (1G4)

Digital Antenna Directional

DAD (1G4)

