



Evolution Wireless Digital EW-D CI1 SET | Instrument Set



Versatile and feature-rich digital wireless system for those who sing, speak or play instruments that allows for seamless product pairing and management via the Smart Assist App.

With a metal housing, the robust bodypack transmitter and included CI 1 instrument cable suit perfectly for daily use on stage.

FEATURES

- Digital wireless eliminates noise, interference and static bursts
- UHF transmission greatly enhances range, reliability and scalability
- Mobile App streamlines setup and operation and eliminates complicated menus
- Automated setup creates reliable connections with minimal time and effort
- Up to 2,240 selectable frequencies
- Transmission range: up to 100 m in an ideal environment (without obstacles)
- Lithium Ion battery pack delivers up to 12 hours of operation (up to 8 hours of operation with AA batteries)
- 56 MHz Bandwidth will allow for up to 90 channels
- Preserves every detail of even the most dynamic performances with 134 dB transmitter dynamic range

DELIVERY INCLUDES

- EW-D EM rack receiver
- EW-D SK bodypack transmitter
- CI 1 instrument cable
- 2 rod antennas
- power supply with country adapters
- rackmount set
- 4 rubber feet
- quick guide
- safety guide
- manufacturer declaration sheet



Evolution Wireless Digital

EW-D CI1 SET | Instrument Set

PRODUCT VARIANTS

EW-D CI1 SET (Q1-6)	470.2 – 526 MHz	Art. no. 508730
EW-D CI1 SET (R1-6)	520 – 576 MHz	Art. no. 508731
EW-D CI1 SET (R4-9)	552 – 607.8 MHz	Art. no. 508732
EW-D CI1 SET (S1-7)	606.2 – 662 MHz	Art. no. 508733
EW-D CI1 SET (S4-7)	630 – 662 MHz	Art. no. 508734
EW-D CI1 SET (S7-10)	662 – 693.8 MHz	Art. no. 508735
EW-D CI1 SET (T1/T7)	694.5 – 702.7 MHz & 748.3 – 757.7 MHz	Art. no. 700437
EW-D CI1 SET (T12)	806.125 – 809.750 MHz	Art. no. 700438
EW-D CI1 SET (T13-14)	819.2 – 823.0 MHz	Art. no. 700439
EW-D CI1 SET (U1/5)	823.2 – 831.8 MHz & 863.2 – 864.8 MHz	Art. no. 508736
EW-D CI1 SET (V3-4)	925.2 – 937.3 MHz	Art. no. 508738
EW-D CI1 SET (Y1-3)	1785.2 – 1799.8 MHz	Art. no. 508739

MICROPHONE COMPATIBILITY

Lavalier and headset microphones compatible with the EW-D SK bodypack transmitter

ME 2	Omni-directional lavalier microphone Models produced from 2021 onward, featuring a gold-plated connector*
ME 4	Cardioid lavalier microphone Models produced from 2021 onward, featuring a gold-plated connector*
MKE Essential Omni	Omni-directional lavalier microphone
MKE 2 Gold	Omni-directional lavalier microphone Models produced from 2018 onward, featuring a blue serial number plate
MKE 1	Omni-directional lavalier microphone
ME 3	Cardioid headset microphone Models produced from 2021 onward, featuring a gold-plated connector*
HSP Essential Omni	Omni-directional headset microphone
HSP 2	Omni-directional headset microphone Models produced from March 2020 onward (featuring code 1090 or later)
HS 2	Omni-directional headset microphone Models produced from 2021 onward, featuring a gold-plated connector*
SL Headmic 1	Omni-directional headset microphone

* Models produced prior to 2021 will feature a nickel connector. Earlier models may pick up noise when placed close to the transmitter and are not recommended for use



Evolution Wireless Digital

EW-D CI1 SET | Instrument Set

ACCESSORIES

EW-D ASA (Q-R-S)	Active Antenna Splitter	470 - 694 MHz	Art. no. 508879
EW-D ASA (T-U-V-W)	Active Antenna Splitter	694 - 1075 MHz	Art. no. 508880
EW-D ASA (X-Y)	Active Antenna Splitter	1350 - 1805 MHz	Art. no. 508881
EW-D ASA CN/ANZ (Q-R-S)	Active Antenna Splitter	470 - 694 MHz	Art. no. 508998
EW-D AB (Q)	Antenna Booster	470 - 550 MHz	Art. no. 508873
EW-D AB (R)	Antenna Booster	520 - 608 MHz	Art. no. 508874
EW-D AB (S)	Antenna Booster	606 - 694 MHz	Art. no. 508875
EW-D AB (T)	Antenna Booster	694 - 824 MHz	Art. no. 700462
EW-D AB (U)	Antenna Booster	823 - 865 MHz	Art. no. 508876
EW-D AB (V)	Antenna Booster	902 - 960 MHz	Art. no. 508877
EW-D AB (Y)	Antenna Booster	1785 - 1805 MHz	Art. no. 508878
Half Wave Dipole (Q)	Pair of rod antennas	470 - 550 MHz	Art. no. 508868
Half Wave Dipole (R)	Pair of rod antennas	520 - 608 MHz	Art. no. 508869
Half Wave Dipole (S)	Pair of rod antennas	606 - 694 MHz	Art. no. 508870
Half Wave Dipole (T1-7)	Pair of rod antennas	694 - 758 MHz	Art. no. 700461
Half Wave Dipole (T12-14)	Pair of rod antennas	806 - 823 MHz	Art. no. 700504
Half Wave Dipole (U)	Pair of rod antennas	823 - 865 MHz	Art. no. 508871
Half Wave Dipole (V)	Pair of rod antennas	902 - 960 MHz	Art. no. 508966
Half Wave Dipole (Y)	Pair of rod antennas	1785 - 1805 MHz	Art. no. 508872
ADP UHF (470 - 1075 MHz)	Passive directional antenna	470 - 1075 MHz	Art. no. 508863
BA 70	Rechargeable battery pack for SK and SKM-S		Art. no. 508860
L 70 USB	Charger for BA 70 rechargeable battery pack		Art. no. 508861
EW-D CHARGING SET	Set of L 70 USB charger and 2 BA 70 rechargeable battery packs		Art. no. 508862
EW-D COLOR CODING SET	Colored labels for wireless link identification for EM, SKM-S, SK		Art. no. 508989
EW-D SK COLOR CODING	Colored labels for wireless link identification for SK		Art. no. 508990
EW-D SKM COLOR CODING	Colored labels for wireless link identification for SKM-S		Art. no. 508991
EW-D EM COLOR CODING	Colored labels for wireless link identification for EM		Art. no. 508992



Evolution Wireless Digital

EW-D CI1 SET | Instrument Set

SPECIFICATIONS

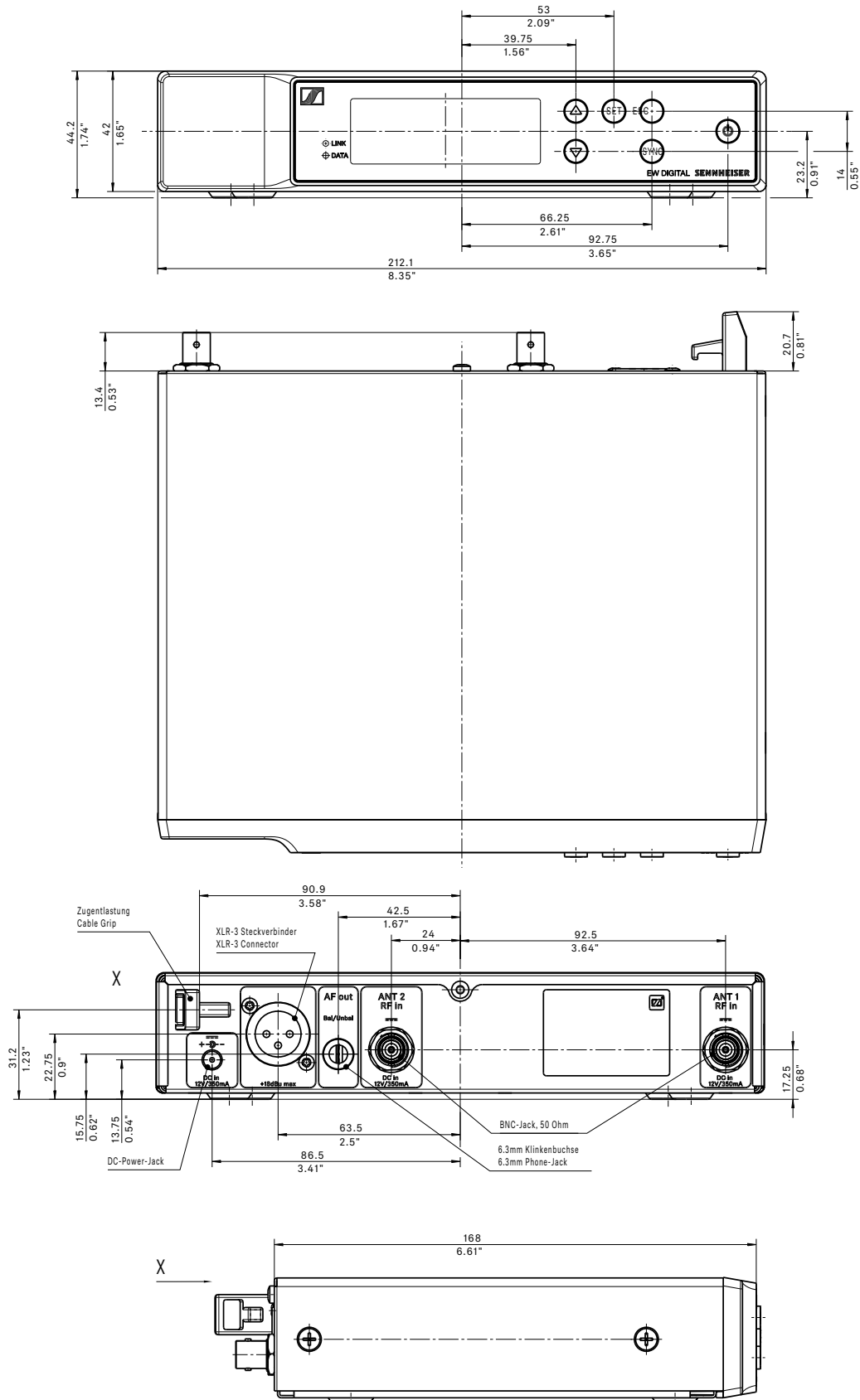
System		EW-D SK (Bodypack Transmitter)	
Audio link frequency ranges	Q1-6 470.2 – 526 MHz R1-6 520 – 576 MHz R4-9 552 – 607.8 MHz S1-7 606.2 – 662 MHz S4-7 630 – 662 MHz S7-10 662 – 693.8 MHz T1/7 694.5 – 702.7 MHz & 748.3 – 757.7 MHz T12 806.125 – 809.750 MHz T13-14 819.2 – 823.0 MHz U1/5 823.2 – 831.8 MHz & 863.2 – 864.8 MHz V3-4 925.2 – 937.3 MHz Y1-3 1785.2 – 1799.8 MHz	Input voltage	2.0 - 4.35 V
		Input current	< 300 mA
		Power supply	2 AA batteries 1.5 V (alkali manganese) or BA 70 rechargeable battery pack
		Occupied bandwidth	200 kHz
		Transmit power (radiated)	Audio link: 10 mW ERP (Range Y1-3: 12 mW ERP) BLE: max. 10 mW EIRP
		Dimensions (without antenna)	63 x 80 x 20 mm (2.48" x 3.15" x 0.79")
		Weight (without batteries)	approx. 120 g (0.26 lbs)
Bluetooth® Low Energy (BLE) frequency range	2402 - 2480 MHz		
Audio frequency response	20 Hz - 20 kHz (-3 dB) @ 3 dBfs		
Audio THD	≤ -60 dB for 1 kHz @ -3 dBfs input level		
Dynamic range	134 dB		
System latency	1.9 ms		
Operating temperature	-10 °C - +55 °C (14 °F - 131 °F)		
Relative humidity	5 - 95 % (non-condensing)		
EW-D EM (Rack Receiver)			
Input voltage	11 - 13 V ~		
Input current	≤ 300 mA		
Transmit power (radiated)	BLE: max. 10 mW EIRP		
Audio output power	18 dBu max.		
Dimensions	212 x 44 x 189 mm (8.35" x 1.73" x 7.44")		
Weight (without antennas and power supply)	approx. 1000 g (2.2 lbs)		
Set in packaging			
Dimensions	405 x 350 x 73 mm (15.91" x 13.78" x 2.87")		
Weight	2.8 kg (6.17 lbs)		



Evolution Wireless Digital EW-D CI1 SET | Instrument Set

DIMENSIONS

EW-D EM



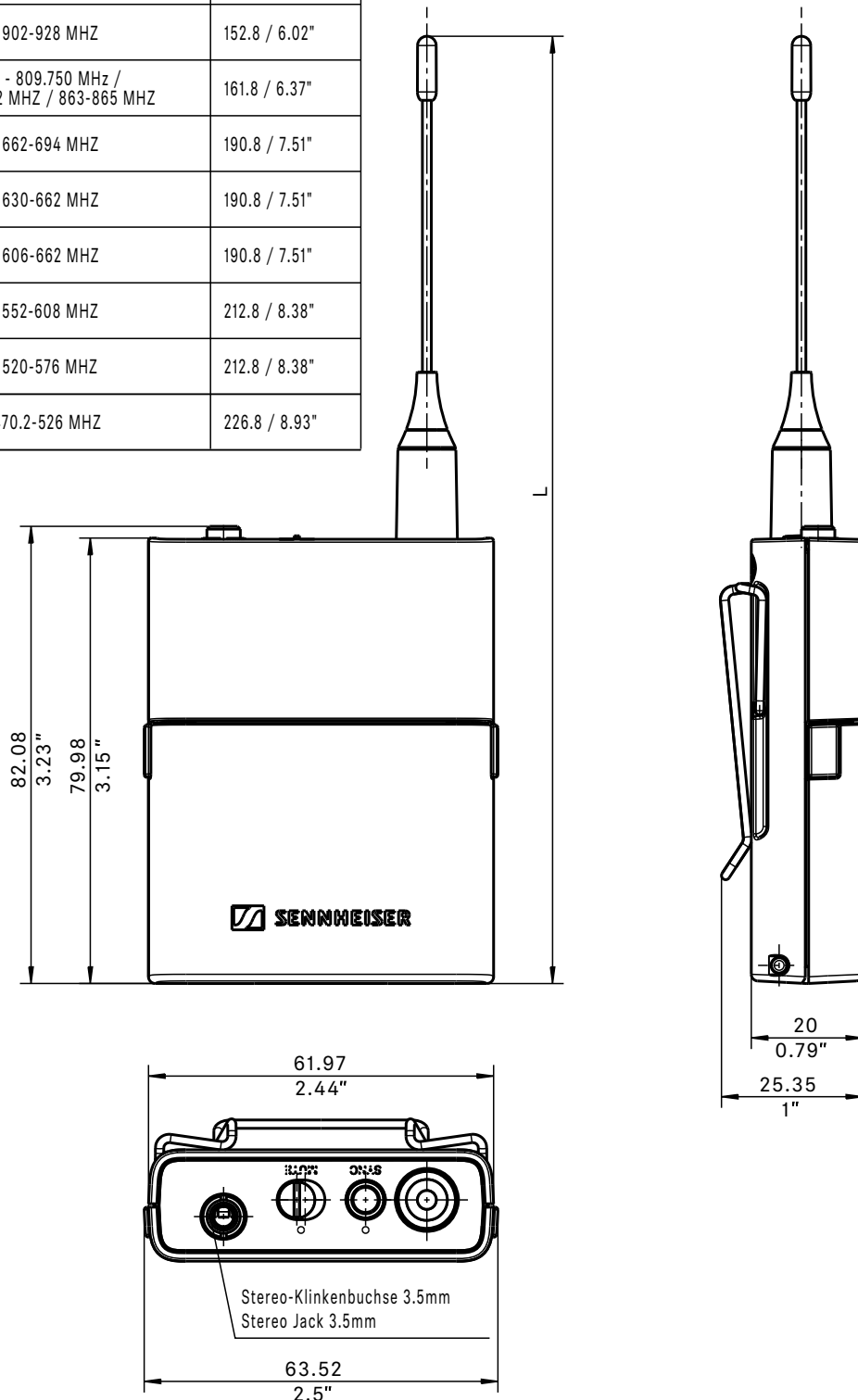


Evolution Wireless Digital EW-D CI1 SET | Instrument Set

DIMENSIONS

EW-D SK

Frequenzbereich Frequency range	L
1785-1805 MHz	198.8 / 7.83"
925-937.5 MHz	152.8 / 6.02"
902-928 MHz	152.8 / 6.02"
806.125 - 809.750 MHz / 823-832 MHz / 863-865 MHz	161.8 / 6.37"
662-694 MHz	190.8 / 7.51"
630-662 MHz	190.8 / 7.51"
606-662 MHz	190.8 / 7.51"
552-608 MHz	212.8 / 8.38"
520-576 MHz	212.8 / 8.38"
470.2-526 MHz	226.8 / 8.93"



Stereo-Klinkenbuchse 3.5mm
Stereo Jack 3.5mm



Evolution Wireless Digital

EW-D CI1 SET | Instrument Set

ARCHITECT'S SPECIFICATION

EW-D EM rack receiver

The stationary receiver with switching diversity technology shall be for use with a companion transmitter as part of a digital wireless RF transmission system.

The receiver shall operate within ten UHF frequency ranges, with a switching bandwidth of up to 56 MHz: 470.2 – 526 MHz, 520 – 576 MHz, 552 – 607.8 MHz, 606.2 – 662 MHz, 630 – 662 MHz, 662 – 693.8 MHz, 694.5 – 702.7 MHz, 748.3 – 757.7 MHz, 806.125 – 809.750 MHz, 819.2 – 823.0 MHz, 823.2 – 831.8 MHz, 863.2 – 846.8 MHz, 925.2 – 937.3 MHz, 1785.2 – 1799.8 MHz; selectable frequencies shall be up to 2,240.

The receiver shall feature Bluetooth® Low Energy (BLE) at a frequency range between 2402 and 2480 MHz for remote controlling the devices via a control App for iOS and Android.

The audio frequency response shall be between 20 Hz and 20 kHz (-3 dB) @ 3 dBfs. Audio total harmonic distortion (THD) shall be \leq -60 dB for 1 kHz @ -3 dBfs input level. Dynamic range shall be 134 dB.

The receiver shall be menu-driven with a backlit LC display showing the current frequency, channel number, metering of RF level, metering of AF level, lock status, muting function, mute lock status, antenna switching diversity, app connection, gain, audio output level, menu and battery status of the associated transmitter. An auto-lock feature shall be provided to prevent settings from being accidentally altered.

The receiver shall feature a balanced XLR-3M audio output with a maximum output of +18 dBu along with an unbalanced ¼" (6.3 mm) audio output with a maximum output of +12 dBu. Two BNC-type input sockets shall be provided for connecting the antennas.

The receiver shall operate on 12 V power supplied from the power supply unit or from a Sennheiser EW-D ASA antenna splitter. Power consumption shall be \leq 300 mA. The receiver shall have a rugged metal housing; dimensions shall be approximately 212 x 44 x 189 mm (8.35" x 1.73" x 7.44"). Weight shall be approximately 1000 grams (2.2 lbs) without antennas and power supply. Operating temperature shall range from -10 °C to +55 °C (+14 °F to +131 °F).

The receiver shall be the Sennheiser EW-D EM.

EW-D SK bodypack transmitter

The bodypack transmitter shall be for use with a companion receiver as part of a digital wireless RF transmission system.

The bodypack transmitter shall operate within ten UHF frequency ranges, with a switching bandwidth of up to 56 MHz: 470.2 – 526 MHz, 520 – 576 MHz, 552 – 607.8 MHz, 606.2 – 662 MHz, 630 – 662 MHz, 662 – 693.8 MHz, 694.5 – 702.7 MHz, 748.3 – 757.7 MHz, 806.125 – 809.750 MHz, 819.2 – 823.0 MHz, 823.2 – 831.8 MHz, 863.2 – 846.8 MHz, 925.2 – 937.3 MHz, 1785.2 – 1799.8 MHz; selectable frequencies shall be up to 2,240.

The audio frequency response shall be between 20 Hz and 20 kHz (-3 dB) @ 3 dBfs. Audio total harmonic distortion (THD) shall be \leq -60 dB for 1 kHz @ -3 dBfs input level. Dynamic range shall be 134 dB.

A programmable mute switch shall be provided to mute or unmute the audio signal.

The bodypack transmitter's parameters shall be configurable in the associated receiver's menu and synchronized with the bodypack transmitter via Bluetooth Low Energy (BLE).

Power shall be supplied to the bodypack transmitter by two 1.5 V AA size batteries or by one Sennheiser BA 70 rechargeable battery pack. Operating time shall be typically 12 hours with a battery pack and up to 8 hours with AA batteries.

Occupied bandwidth shall be 200 kHz. Transmit power (radiated) shall be 10 mW ERP (1785.2 – 1799.8 MHz Range: 12 mW ERP).

The bodypack transmitter shall have a rugged metal housing; dimensions shall be approximately 63 x 80 x 20 mm (2.48" x 3.15" x 0.79") without antenna. Weight without the batteries shall be approximately 120 grams (0.26 lbs). Operating temperature shall range from -10 °C to +55 °C (+14 °F to +131 °F).

The bodypack transmitter shall be compatible with microphones for every application: Sennheiser lavalier microphones ME 2, ME 4, MKE 1, MKE 2 Gold and MKE Essential Omni, Sennheiser headset microphones HS 2, HSP 2, HSP Essential Omni, ME 3 and SL Headmic 1.

The bodypack transmitter shall be the Sennheiser EW-D SK.