



MD 421 KOMPAKT



Quick Guide

Kurzanleitung
 Guide de démarrage rapide
 Guida rapida
 Instrucciones resumidas
 Instruções resumidas
 Beknopte gebruiksaanwijzing
 Krótka instrukcja obsługi
 Snabbguide

Kort vejledning

Pikaohje
 Γρήγορος οδηγός
 Kısa Kılavuz
 Краткая инструкция
 快速指南
 快速使用指南
 クイックガイド
 퀵 가이드

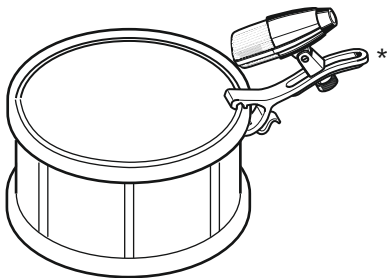
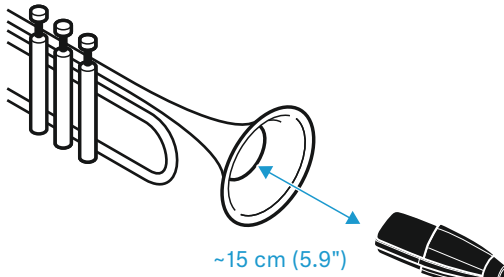
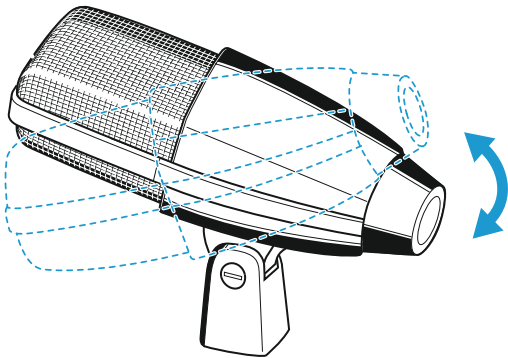
Sennheiser electronic SE & Co. KG

Am Labor 1, 30900 Wedemark, Germany
www.sennheiser.com

Printed in Germany
Publ. 04/24, 597282/A01

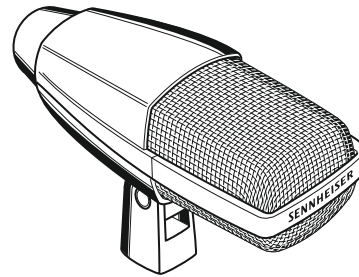
SENNHEISER

Setup

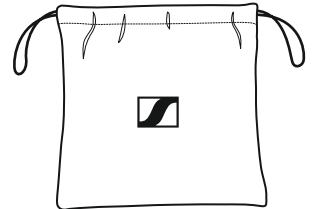


*MZH DRUMS clamp not included

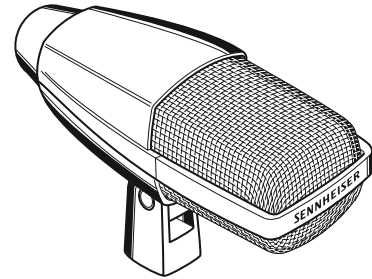
In the box



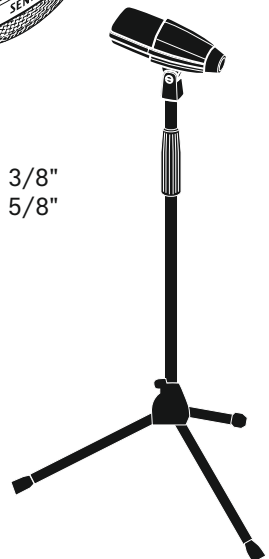
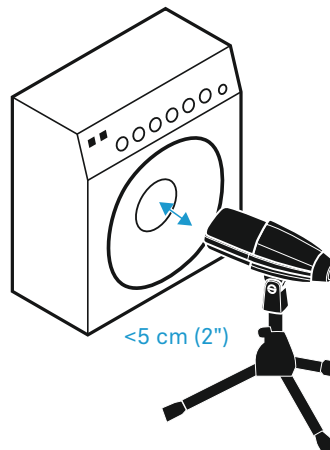
MD 421 KOMPAKT



Setup

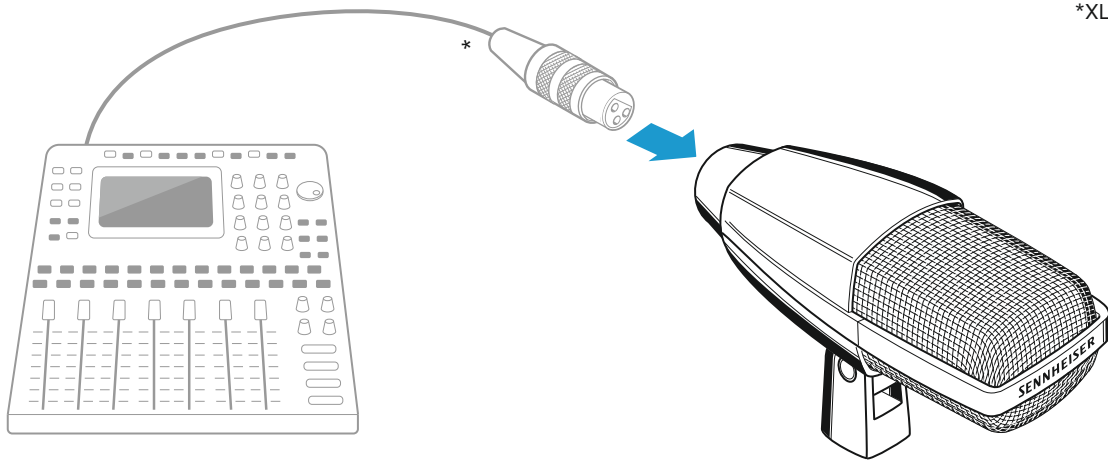


3/8"
5/8"

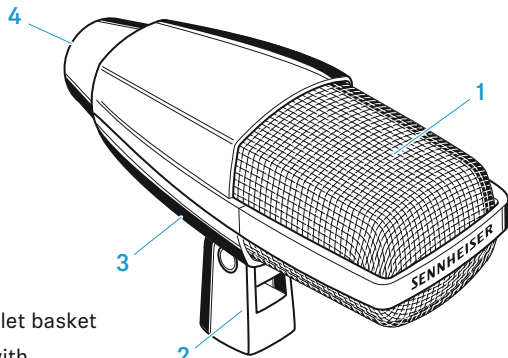


Connecting

*XLR-3 cable not included



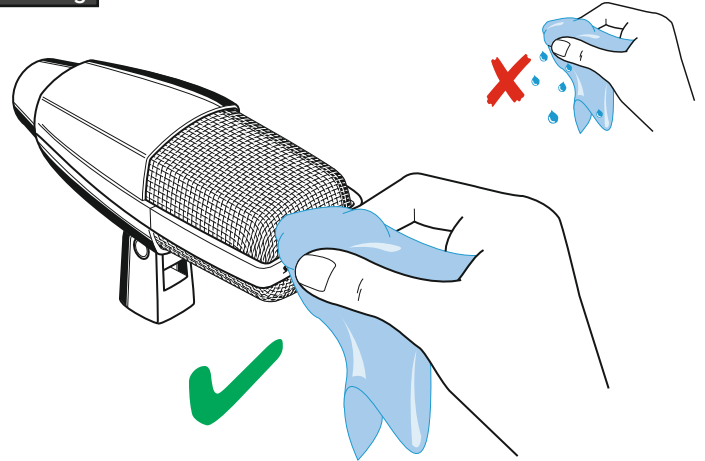
Overview



- 1 Sound inlet basket
- 2 Holder with 3/8" & 5/8" thread
- 3 Serial number
- 4 XLR-3 connector

Cardioid

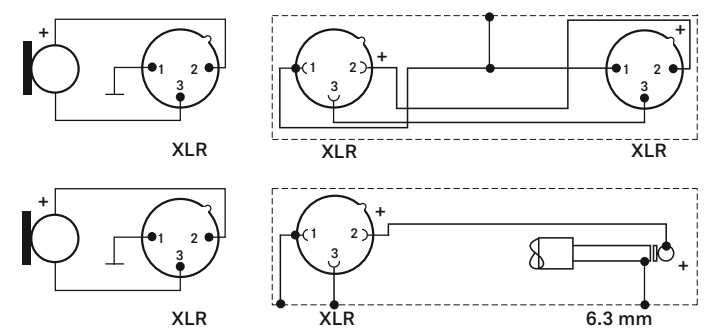
Cleaning



Specifications

Transducer principle	Pressure gradient transducer
Frequency response	30 - 17,000 Hz
Pick-up pattern	Cardioid
Sensitivity (free field, at 1 kHz)	2 mV/Pa ±2.5 dB
Electrical impedance	250 Ω
Min. terminating impedance	1 kΩ
Connector	XLR-3
Dimensions	122 x 49 x 84 mm
Weight	159 g

Connector assignment



Polar pattern and frequency response

