



AWM UHF (470-694 MHz)
 AWM UHF (823-1075 MHz)
 AWM 1G8 (1785-1805 MHz)

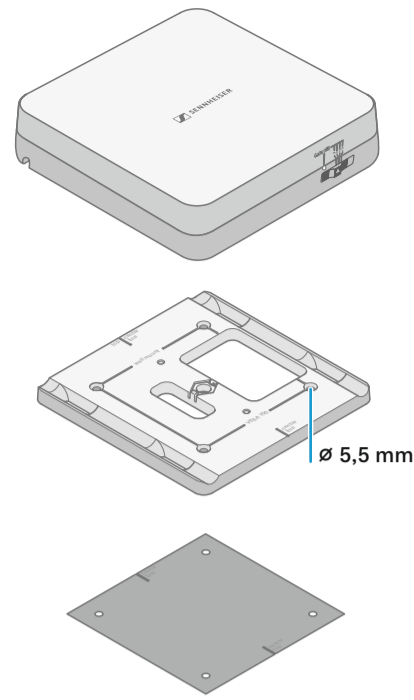
Model: AWM Antenna

- Quick Guide
- Kurzanleitung
- Guide de démarrage rapide
- Guida rapida
- Instrucciones resumidas
- Instruções resumidas
- Beknopte gebruiksaanwijzing
- Krótko instrukcja obsługi
- Snabbguide
- Kort vejledning
- Pikaohje
- Σύντομες οδηγίες
- Kısa Kılavuz
- Краткая инструкция
- 快速指南
- 快速使用指南
- クイックガイド
- 요약 안내서

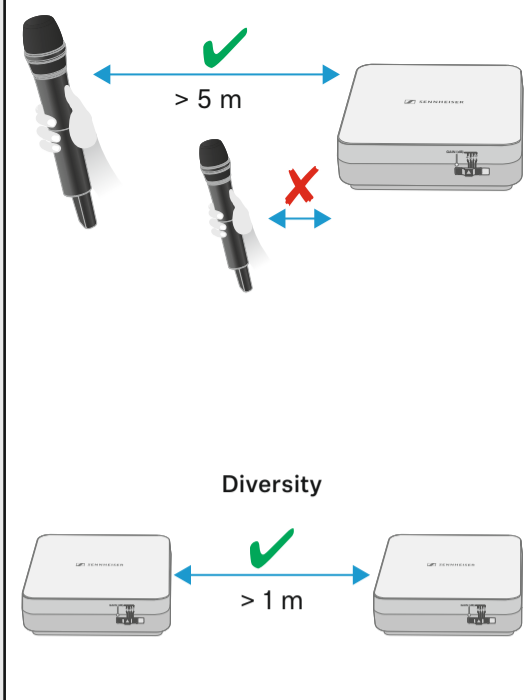
Sennheiser electronic SE & Co. KG
 Am Labor 1, 30900 Wedemark, Germany
 www.sennheiser.com
 Publ. 12/24, 597234/A02

SENNHEISER

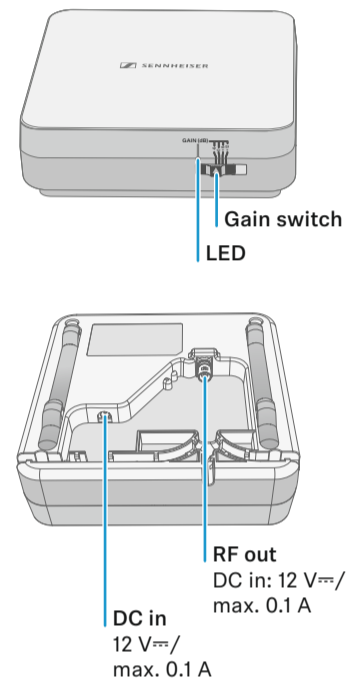
In the box



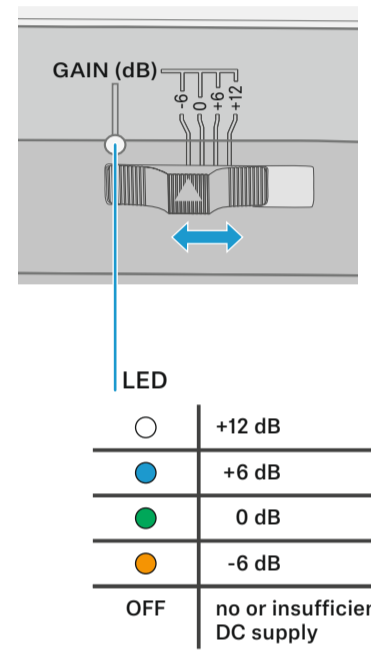
Setup



Overview

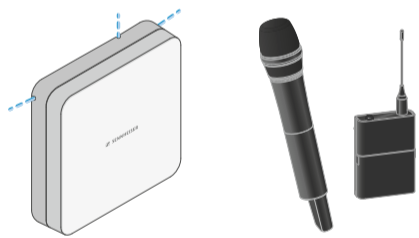


Gain

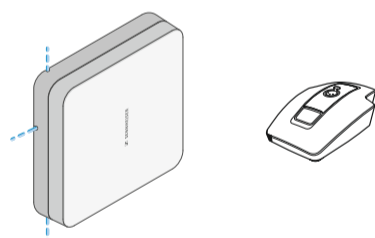


Polarization

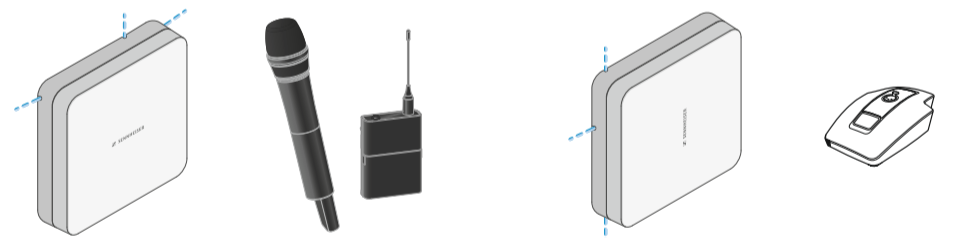
Vertical (normal orientation)
 best for handheld/bodypack



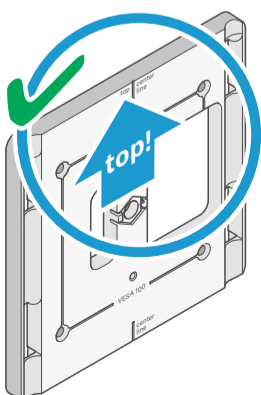
Horizontal (rotated orientation)
 best for tablestand



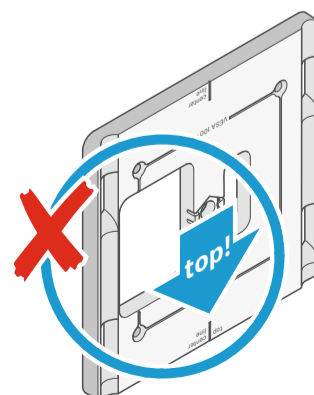
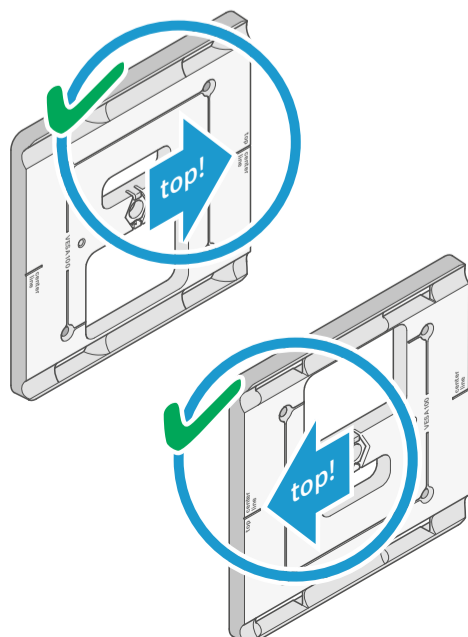
Vertical and horizontal (mixed orientation)
 best for mixed transmitter



Vertical polarization



Horizontal polarization



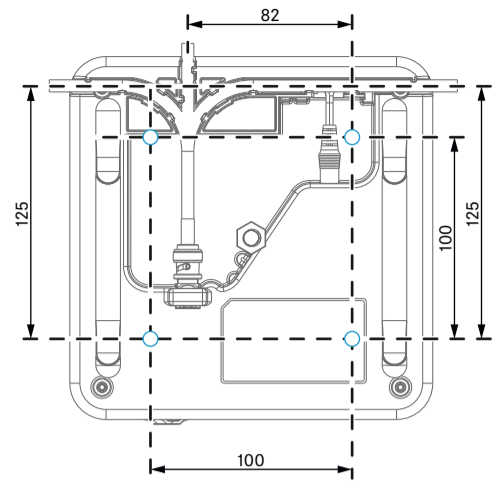
Recommended cable lengths

To ensure reliable operation, observe the following maximum antenna cable runs and set the gain accordingly:

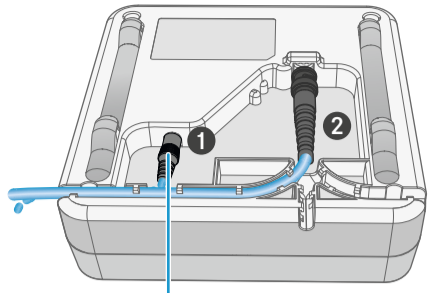
Frequency range around	Gain	Max. cable length (m)	
		RG 58	GZL RG 8x
500 MHz	-6 dB	4.5	9
	0 dB	9	18
	+6 dB	18	36
	+12 dB	36	72
700 MHz	-6 dB	3.5	7
	0 dB	7	14
	+6 dB	14	28
900 MHz	+12 dB	28	56
	-6 dB	3	6
	0 dB	6	12
1800 MHz	+6 dB	12	24
	+12 dB	24	48
	-6 dB	2	4
	0 dB	4	8
1800 MHz	+6 dB	8	16
	+12 dB	16	32

Cable Routing

Drill plan / cable positioning



OR

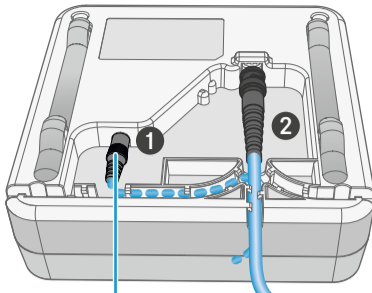


DC in optional
(if no DC via coax)

RF cable* inside antenna:
length >205 mm
Ø <6 mm

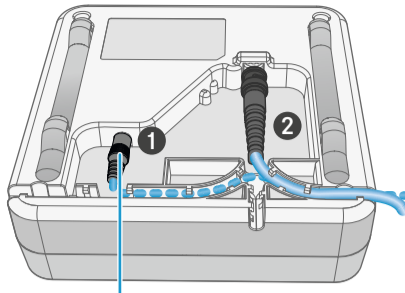
*not included

OR



DC in optional
(if no DC via coax)

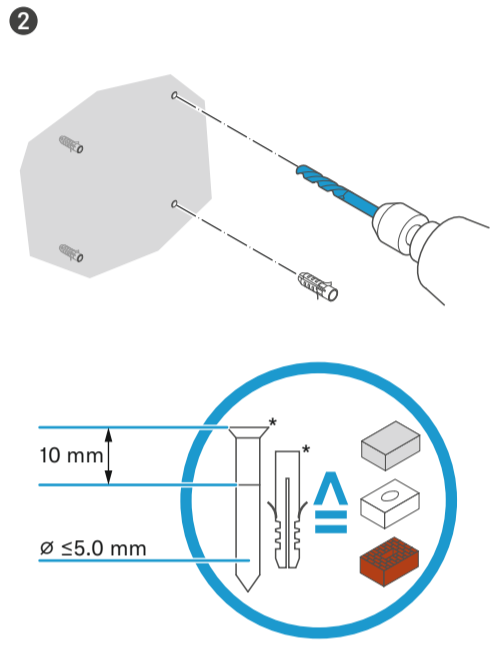
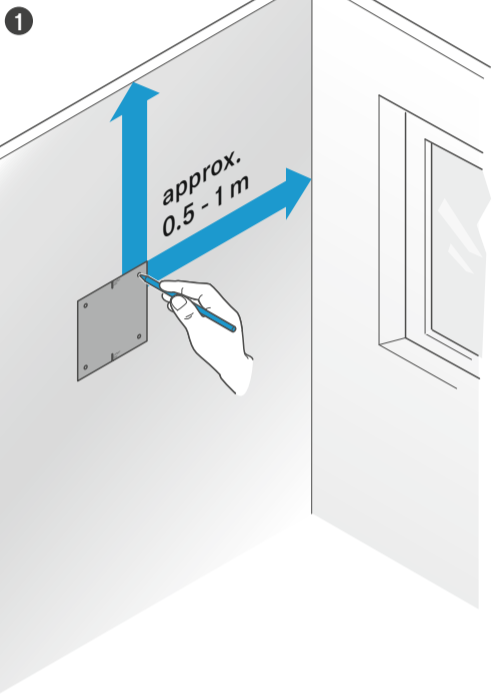
RF cable* inside antenna:
length >110 mm
Ø <6 mm



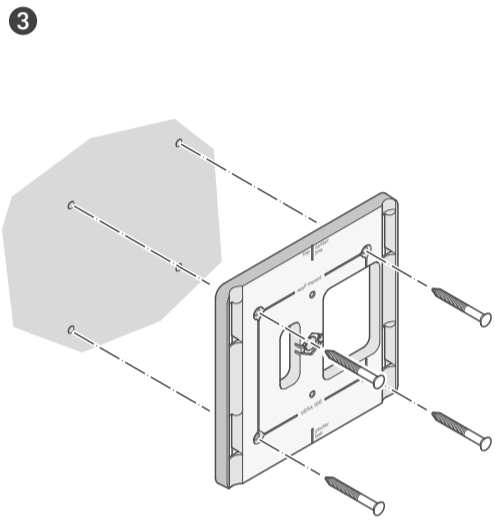
DC in optional
(if no DC via coax)

RF cable* inside antenna:
length >140 mm
Ø <6 mm

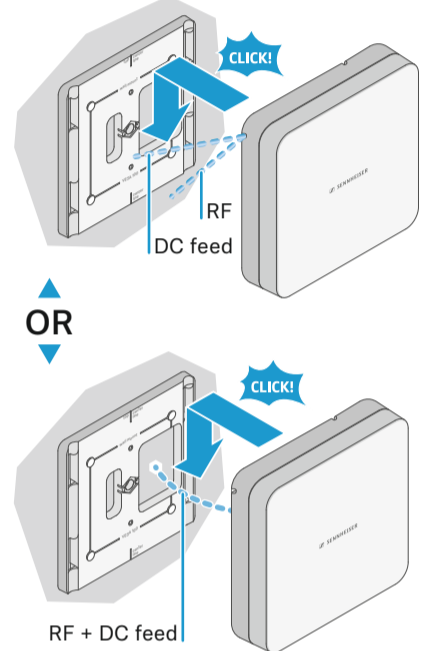
Wall



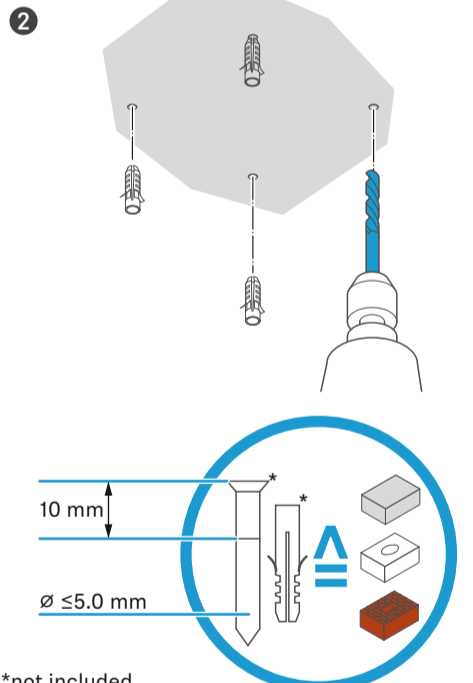
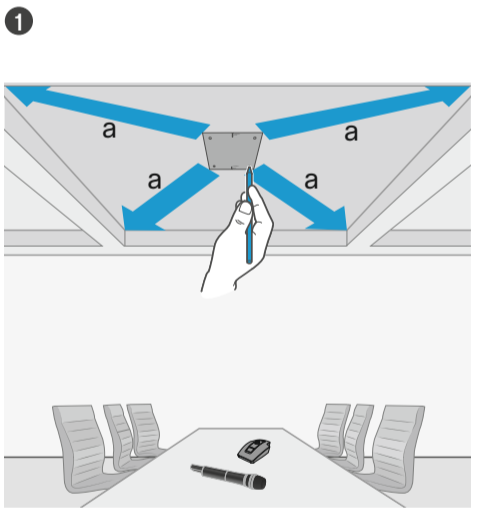
*not included



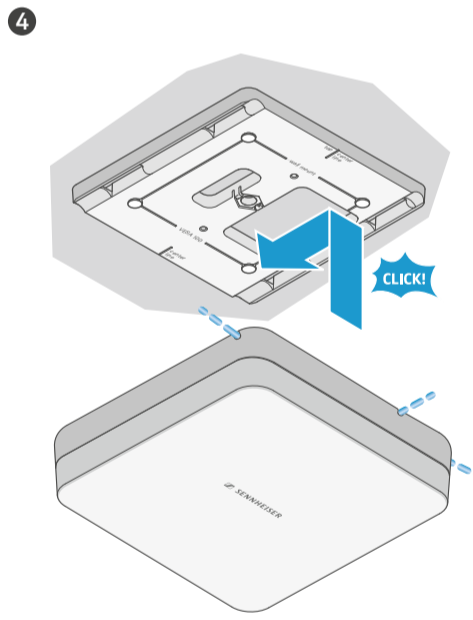
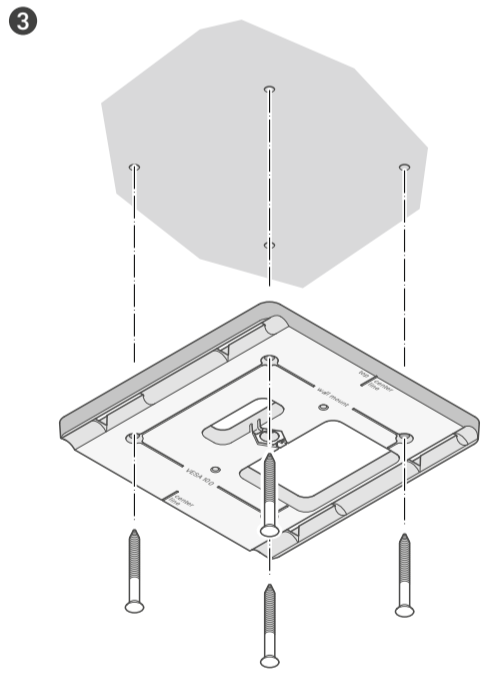
4 Example for vertical polarization



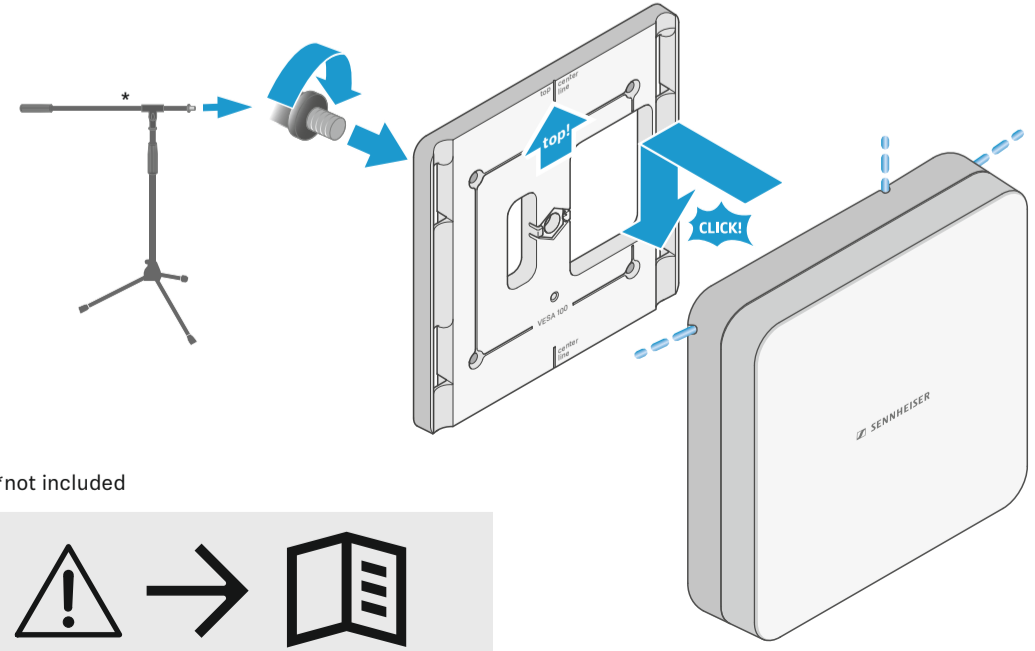
Ceiling



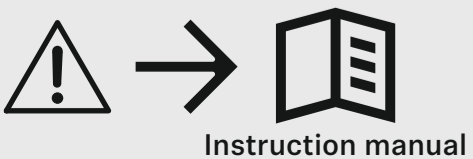
*not included



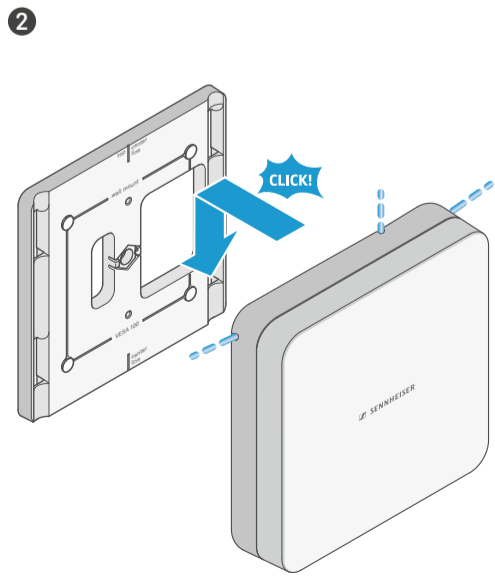
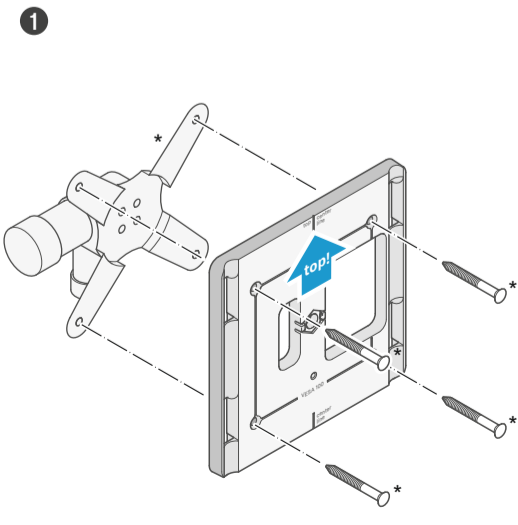
Tripod* / Mic Stand*



*not included



VESA 100*



*not included
VESA 100 holder can affect the RF reception