

FEATURES

- First wireless remote audio conference solution that turns any room into a conference venue
- Easy setup lets you connect in less than a minute
- Contemporary design
- Wireless connectivity via Bluetooth or wired with USB or 3.5mm audio jack cable
- Connects up to 24 people, in any room or table arrangement
- Supports multiple simultaneous audio channels, allowing for additional callers to be added with ease
- The system comes with a durable and stylish charging tray for the four satellites
- Superior acoustic quality allows for high speech intelligibility



TeamConnect Wireless (TC-W) is the first wireless professional audio solution for remote conferencing with up to 24 people in unequipped meeting rooms and seamless integration of smart devices.

TeamConnect Wireless by Sennheiser is the first, go-anywhere, wireless audio conferencing solution offering incredible ease of use. Anyone can set up a professionally sounding conference in any room or table arrangement. Comprising of four stylish, wirelessly connected satellite units, TeamConnect Wireless can enable conferences for up to 24 people, offering NFC assisted Bluetooth pairing for use with smart devices. Wired connections are also possible via USB and jack cable for high flexibility.

ARCHITECT'S SPECIFICATION

A complete professional wireless audio system designed for setting up audio conferences with up to 24 participants in any room or space available.

The system shall operate in the license-free 1.9 GHz band (frequency ranges shall be as follows: EU/ANZ: 1,880 to 1,900 MHz, US: 1,920 to 1,930 MHz, Brazil: 1,911 to 1,918 MHz, Japan: 1,893 to 1,906 MHz) and shall have an RF output power of max. 100 mW (EIRP). The system shall offer mobile device connectivity via Bluetooth (v. 4.2 supported profiles: HFP, HSP and A2DP), NFC, as well as USB and audio cable.

The system shall be comprised of four conference units (so-called satellites) powered by a rechargeable battery, a charging tray, an external power supply unit for the charging tray, plus a USB cable and an audio cable (2.5 mm jack to 3.5 mm jack) to allow for wired connections.

One of the four satellites shall be designed as "master satellite" and shall feature a 2.5 mm jack socket for connecting the audio cable as well as a micro-USB socket for connecting the USB cable. Each satellite shall offer a touch panel with a microphone mute button and a volume control slider. The master satellite's touch panel shall also feature a Bluetooth button for pairing, a USB connection button for deactivating connections, an NFC status icon (lights up when NFC is used) as well as a jack plug icon (lights up when an audio jack is connected). In addition to pairing, the Bluetooth button shall allow the user to manage calls, deactivate an existing Bluetooth connection and end a conference. Alternatively, it shall also be possible to end a conference by pressing the USB button on the touch panel.

Architect's Specification continued

The speaker of a satellite shall use a dynamic driver with a neodymium magnet. The frequency response of the speaker shall range from 200 to 9,000 Hz. The satellite shall also include two MEMS microphones, one of which shall be used for diffuse noise reduction. The microphone frequency response shall range from 200 to 12,000 Hz. Each satellite shall be powered by one Sennheiser BA 100 rechargeable Lithium-Ion battery. The rechargeable battery shall provide a talk time of up to 8 hours. The charging time of the rechargeable battery shall be up to 10 hours.

The charging tray shall operate on 12 V DC power supplied by the NT 12-10 BW power supply unit (100-240 V AC, 50-60 Hz).

The operating temperature shall range from +5 °C to +45 °C (+41 °F to +113 °F).

The satellites shall be 97 mm (3.82") in diameter and 76 mm in height (2.99"), the dimensions of the charging tray shall be 603 x 29 x 170 mm (23,74" x 1,14" x 6.69"). Approximate weights shall be as follows: satellite incl. rechargeable battery: 449 g (0.99 lbs.), charging tray: 1.7 kg (3.75 lbs.).

The system shall be the Sennheiser TeamConnect Wireless.

SPECIFICATIONS

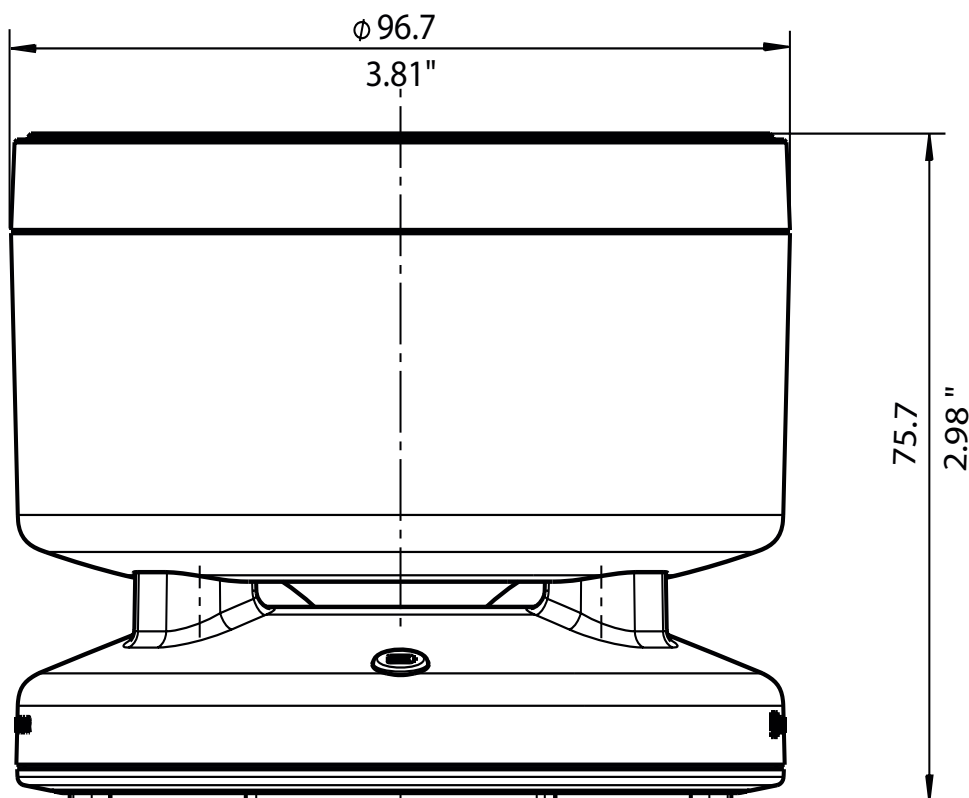
Satellites & Case		Rechargeable battery BA 100	Lithium Ion; Input power Tray: 3.7 V DC TC-W Master via USB: 5 V/max. 500 mA
Dimensions			
Satellite(s) (Ø x H)	approx. 97 mm x 76 mm (3.82" x 2.99")		
Tray (W x H x D)	approx. 603 x 29 x 170 mm (23,74" x 1,14" x 6.69")	Charging time	up to 10 h
Weight		Operating temperature	+5 °C to +45 °C (+41 °F to +113 °F)
Satellite	449 g incl. battery pack (0.99 lbs)	Storage temperature	-20 °C to +55 °C (-4 °F to +131 °F)
Tray	approx. 1,700 g (3.75 lbs)	Relative humidity	20 - 80%, non-condensing
Complete Set	approx. 3,500 g (7.72 lbs)		
Speaker frequency response	200 - 9,000 Hz		
Microphone frequency response	200 - 12,000 Hz	Power supply	
Sockets master satellite	2.5 mm socket Micro USB socket	Input voltage	100 - 240 V AC
Connection cable	Micro USB type B to USB type A cable 2.5 mm to 3.5 mm jack cable	Mains frequency	50 - 60 Hz
Bluetooth	version 4.2 / class 1 Profiles HSP (v1.2), HFP (v1.6), A2DP (v1.3) Frequency Range: 2.4 GHz	Output voltage	12 V DC
Max. range	Bluetooth (Master to smart device) approx. 10 m DECT (Master to Satellite) approx. 20 m	Output current	max. 1.0 A
RF frequency ranges	EU: 1,880 to 1,900 MHz USA: 1,920 to 1,930 MHz Brazil: 1,911 to 1,918 MHz Japan: 1,893 to 1,906 MHz	Energy efficiency	DOE Level VI
RF output power	max. 100 mW (EIRP)	Operating temperature	0 °C to +45 °C (+32 °F to +113 °F)
Operating time	up to 8 hours	Storage temperature	-20 °C to +70 °C (-4 °F to +158 °F)
		Relative humidity	max. 90%, non-condensing

DELIVERY INCLUDES

- 1 TC-W Master
- 3 TC-W Satellite
- 1 TC-W Tray
- 4 BA 100 Battery
- 1 NT 12-10 BW DC Power supply
- 1 Micro USB type B to USB type A cable
- 1 2.5 mm to 3.5 mm jack cable
- 1 User manual
- 1 Safety Instructions

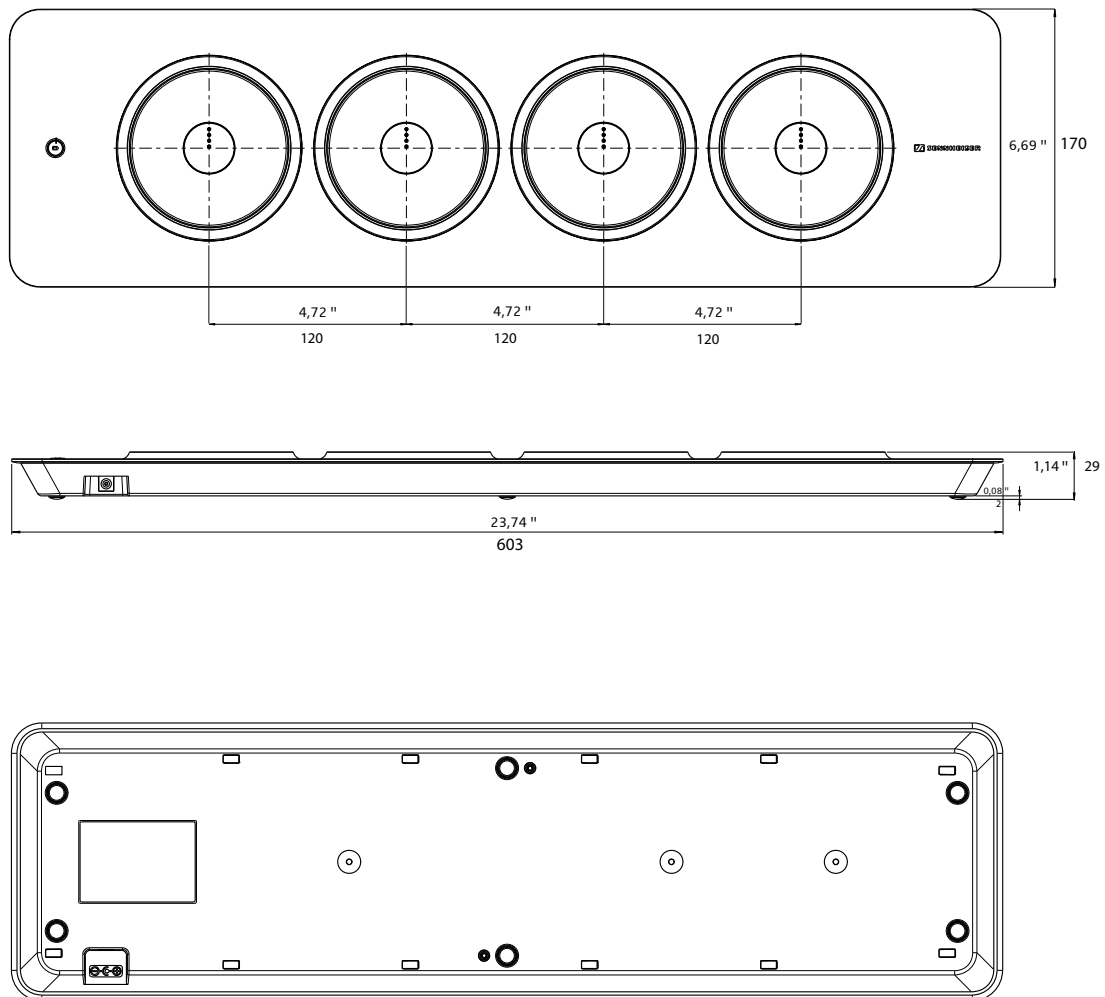
DIMENSIONS

TC-W Satellites



DIMENSIONS

TC-W Tray



ACCESSORIES

TC-W Jack Cable	Art. No.	506682
TC-W Telephone Cable	Art. No.	506683
TC-W USB Cable	Art. No.	506684
NT 12-10 BW	Art.No.	506728
TC-W Case	Art. No.	506685
TC-W Tray	Art. No.	506691

PRODUCT VARIANTS

TC-W Case Set EU	Art. No.	506686
TC-W Case Set US	Art. No.	506687
TC-W Case Set JP	Art. No.	506689
TC-W Case Set BR	Art. No.	506690
TC-W Tray Set EU	Art.No.	506692
TC-W Tray Set US	Art.No.	506693
TC-W Tray Set JP	Art.No.	506695
TC-W Tray Set BR	Art.No	506696