



SpeechLine Digital Wireless

Quick Guide
Kurzanleitung
Guide rapide
Guía rápida
Guía de inicio rápido
Guia rápido
Beknopte handleiding
Krótka instrukcja obsługi
Snabbguide

Kort vejledning
Pikaohje
Γρήγορος οδηγός
Kısa Kılavuz
Краткая инструкция
快速指南
快速使用指南
クイックガイド
퀵 가이드

SENNHEISER



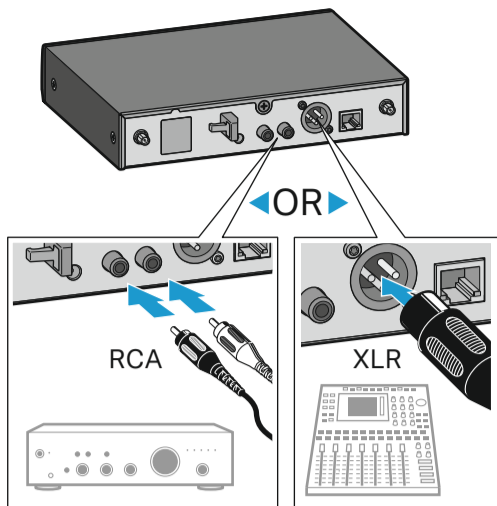
www.sennheiser.com/download

Sennheiser electronic GmbH & Co. KG

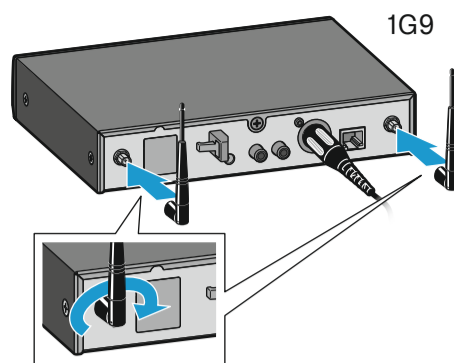
Am Labor 1, 30900 Wedemark, Germany
www.sennheiser.com

Printed in Germany, Publ. 11/23, 592896/A02

Setup

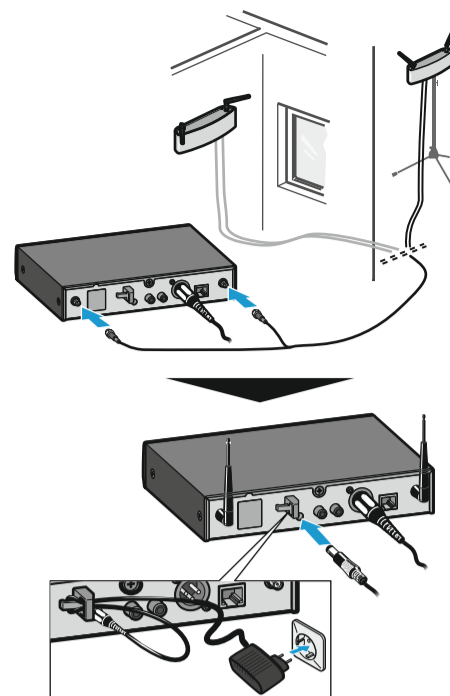


A

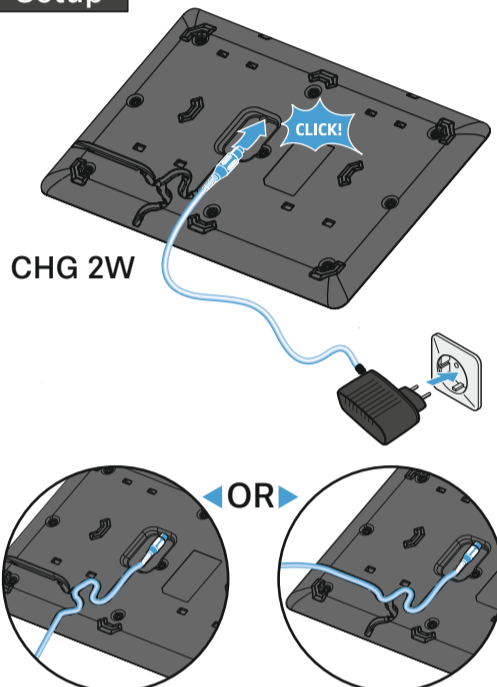


i for details see
Application Note Antenna Mounting
in the download section of
www.sennheiser.com/speechline-dw

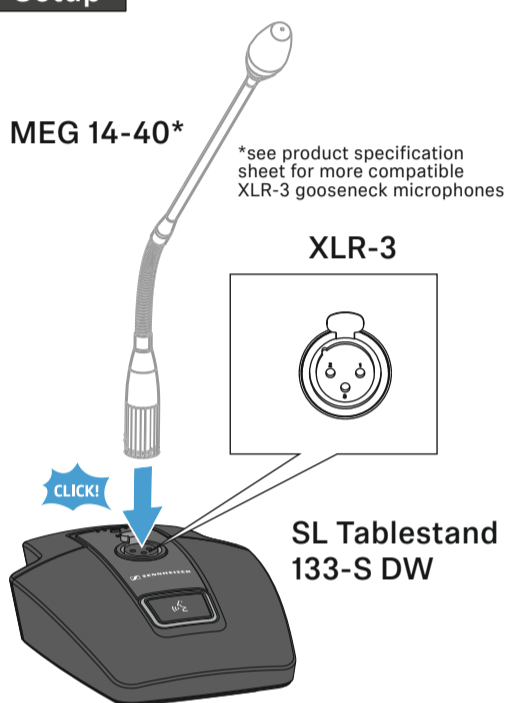
B



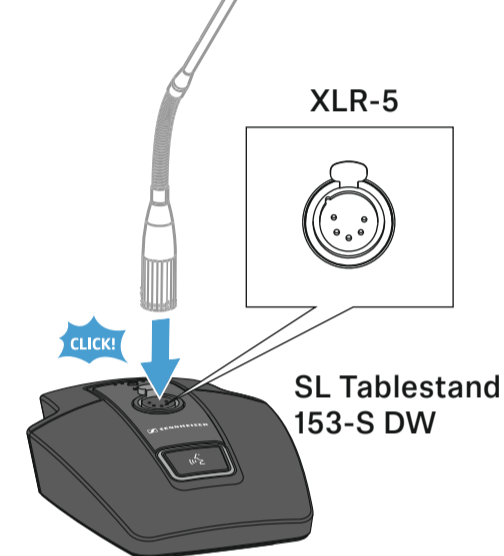
Setup



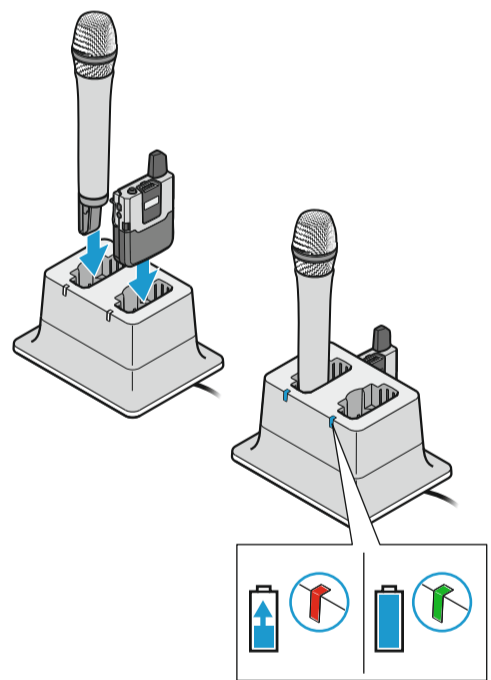
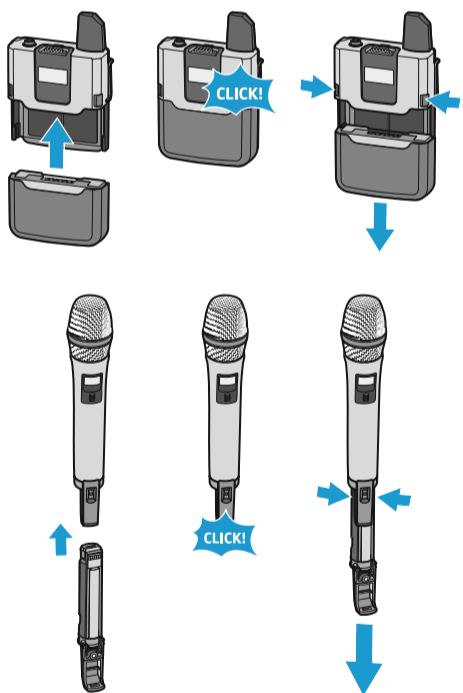
Setup



MEG 14-40-L-II

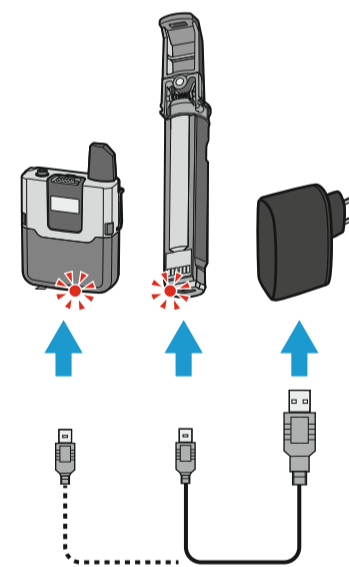


Battery/Charging

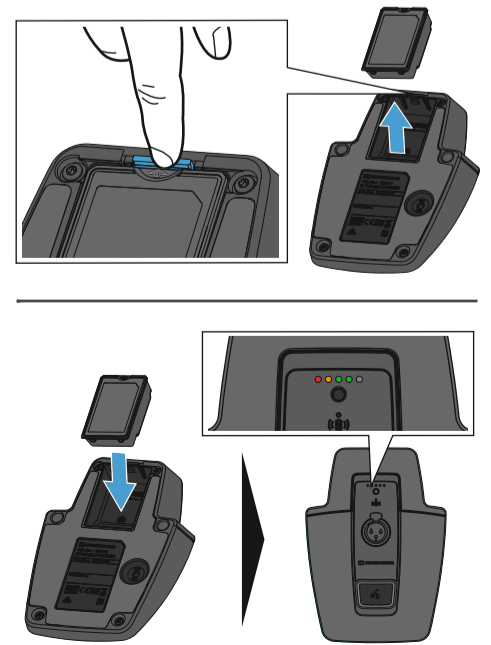
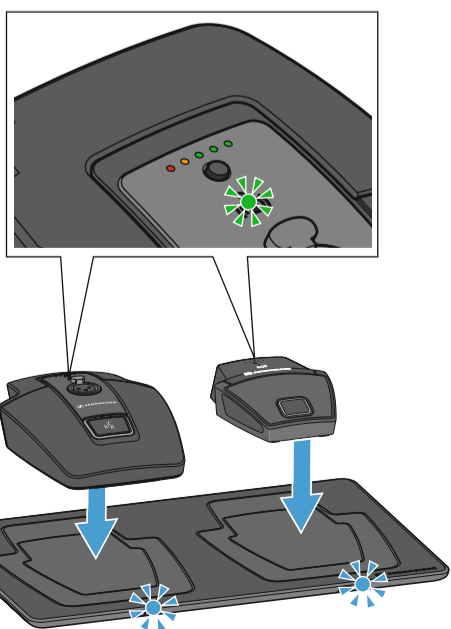


CHG 2
CHG 2N
CHG 4N

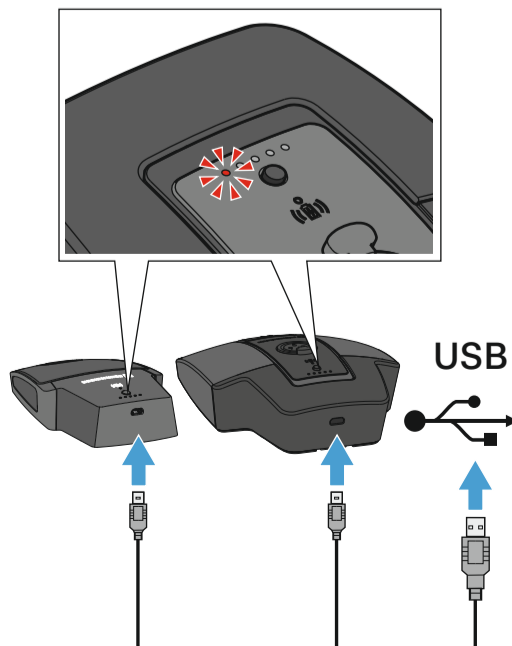
0:30h	25%	1:00h
1:00h	50%	2:00h
1:30h	75%	3:00h
3:00h	100%	4:30h



Battery/Charging



Operating time with BA 40 accupack

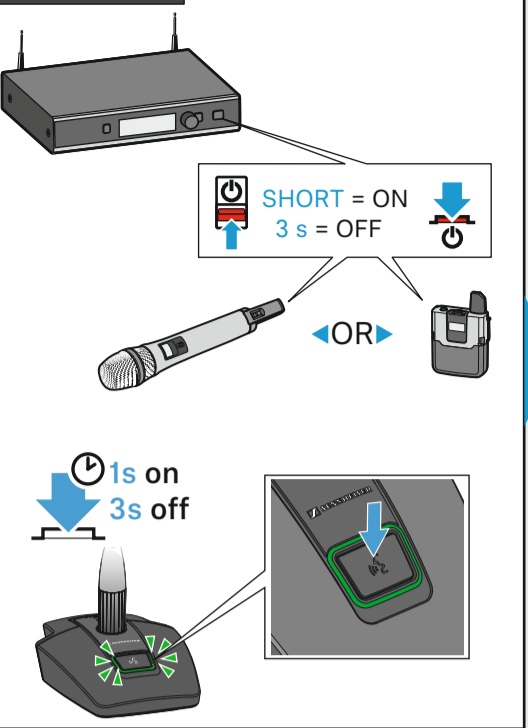


●●●●●	100%	11:00 h
●●●●○	80%	XLR-3 10:00 h
●●●○●	60%	XLR-5 13:00 h
●●○●●	40%	
●○○●●	20%	
●●●●●	Low Batt	

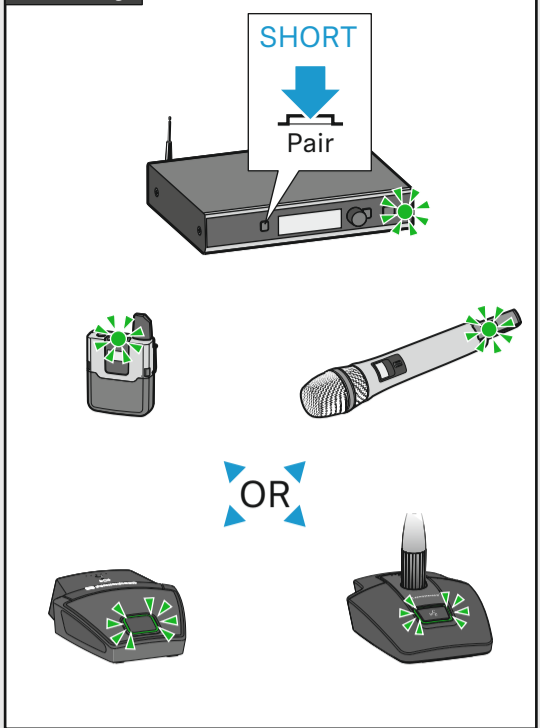
Charging time (until fully charged)

	On	7:00 h	5:00 h
XLR-3	Off	5:30 h	4:30 h
	On	7:30 h	5:30 h
XLR-5	Off	5:30 h	4:30 h
	On	8:00 h	5:00 h
	Off	6:00 h	4:30 h

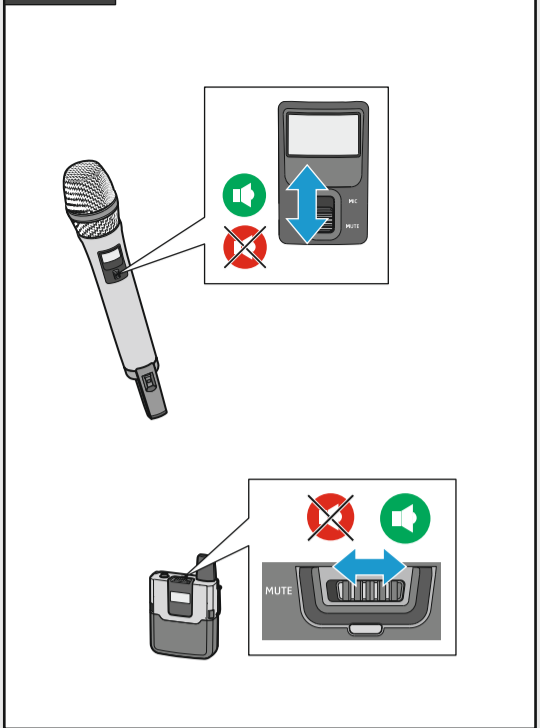
On/Off



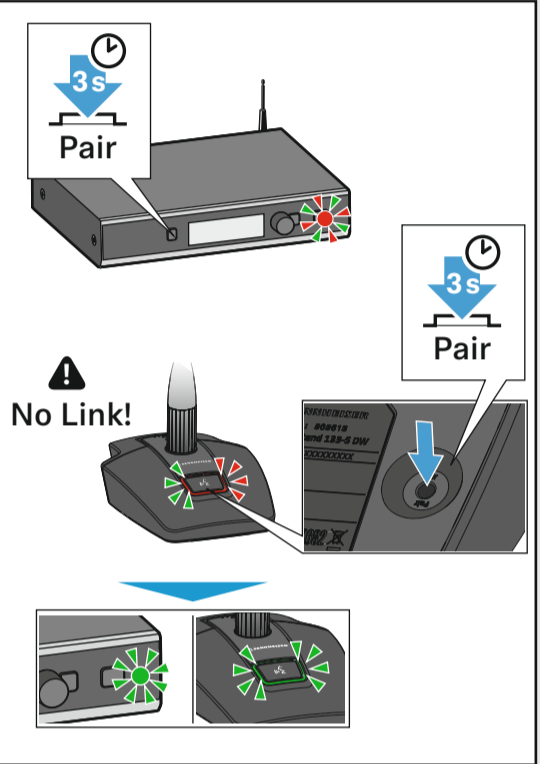
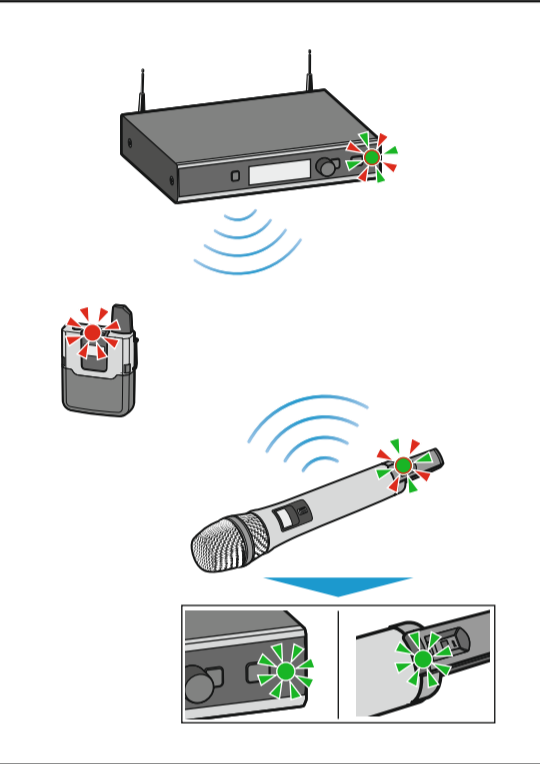
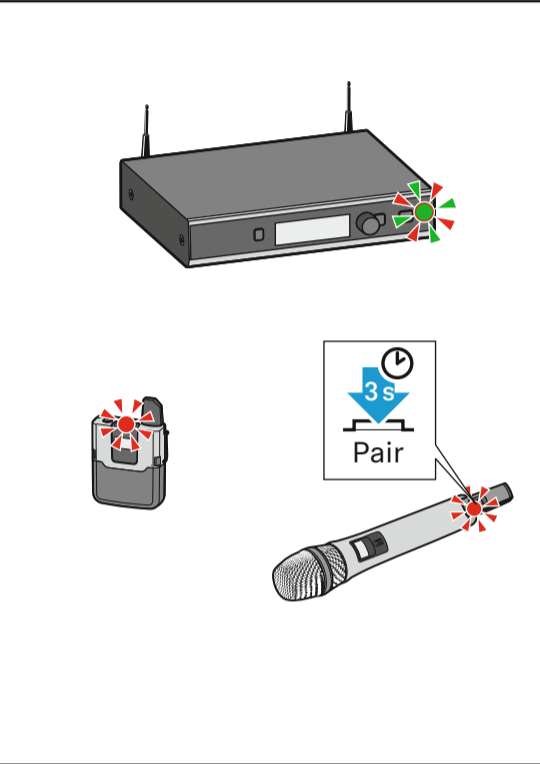
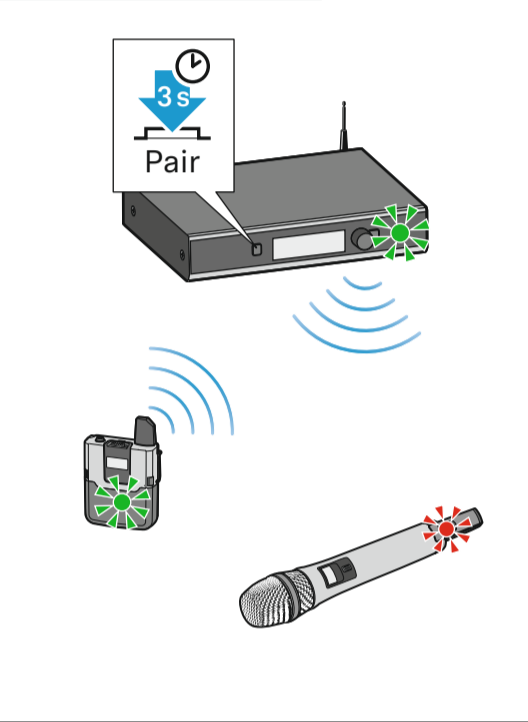
Identify



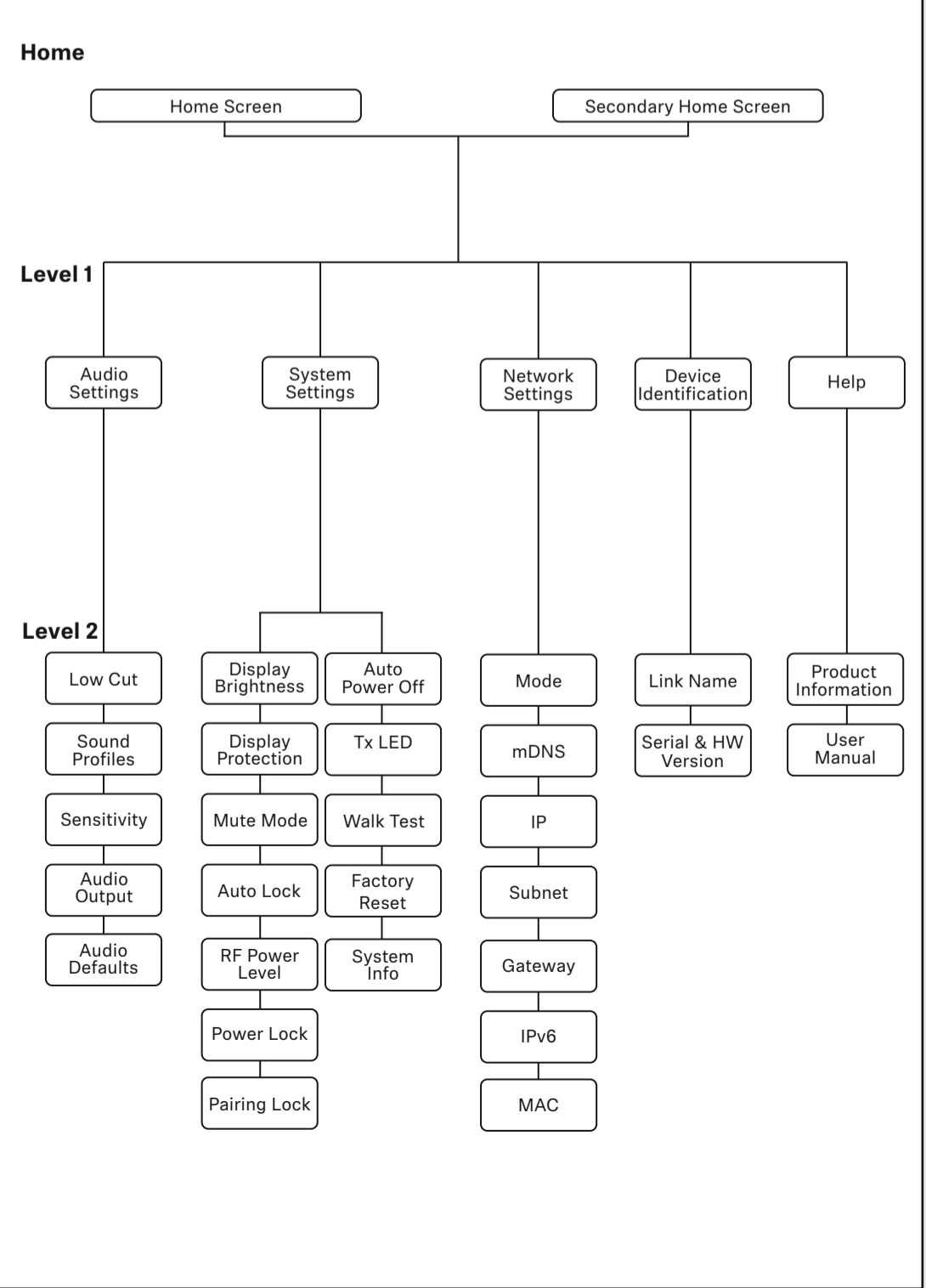
Mute



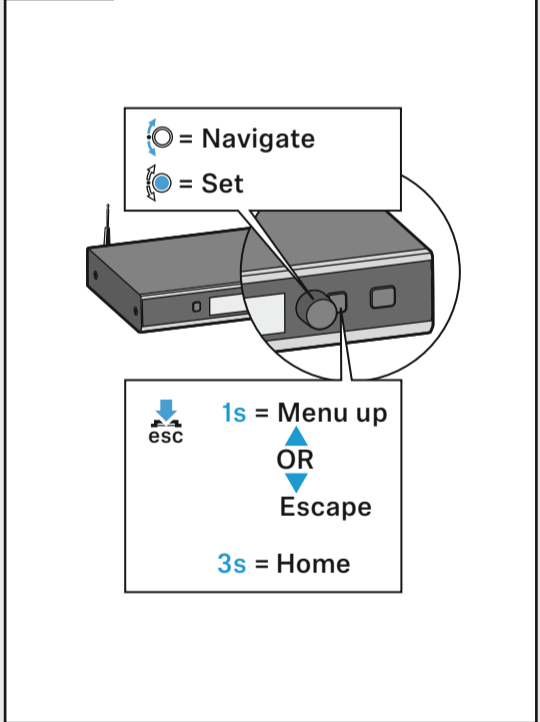
Change device/Pair



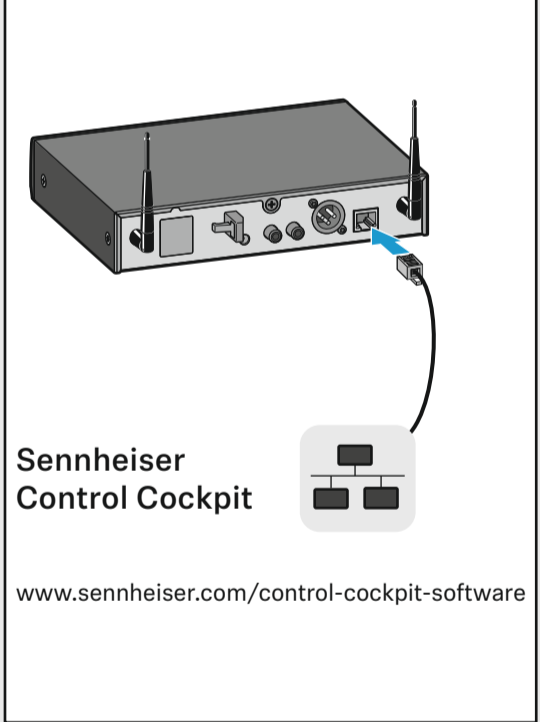
Menu



Menu



Remote Control



Handling

