



EK 2000 IEM

- Quick Guide
- Kurzanleitung
- Guide rapide
- Guida rapida
- Guía de inicio rápido
- Guia rápido
- Beknopte handleiding
- Krótká instrukcja obsługi
- Snabbguide
- Kort vejledning
- Pikaohje
- Γρήγορος οδηγός
- Kısa Kılavuz
- Краткая инструкция
- 快速指南
- 快速使用指南
- クイックガイド
- 퀵 가이드

SENNHEISER



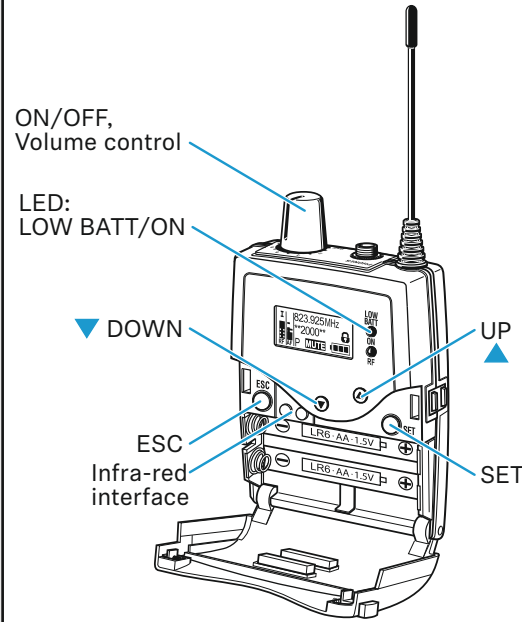
www.sennheiser.com/download

Sennheiser electronic GmbH & Co. KG

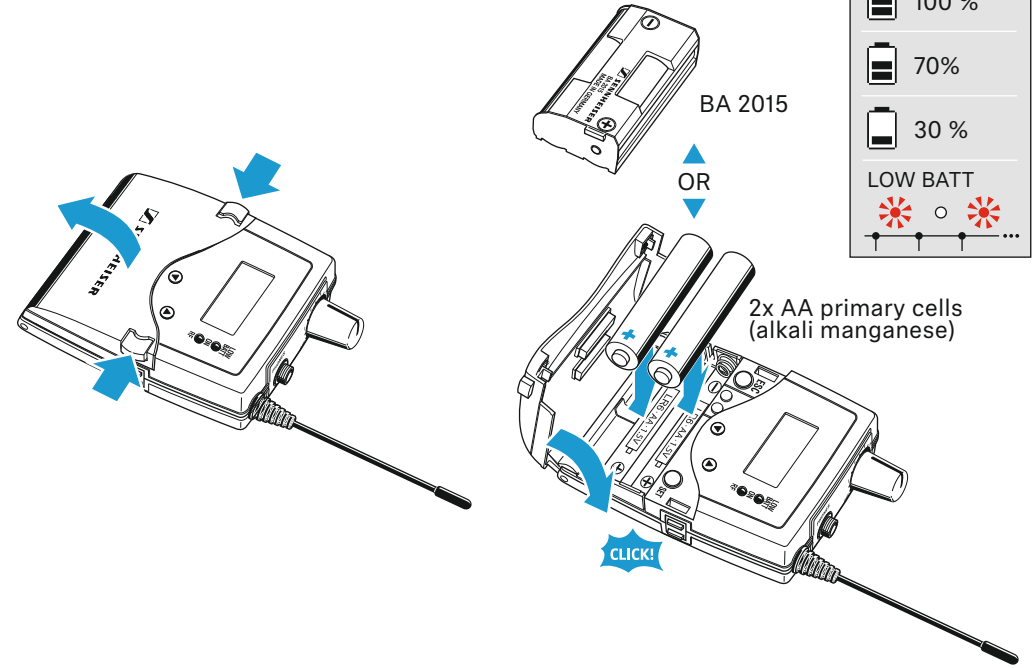
Am Labor 1, 30900 Wedemark, Germany
www.sennheiser.com

Printed in Germany, Publ. 01/24, 575853/A02

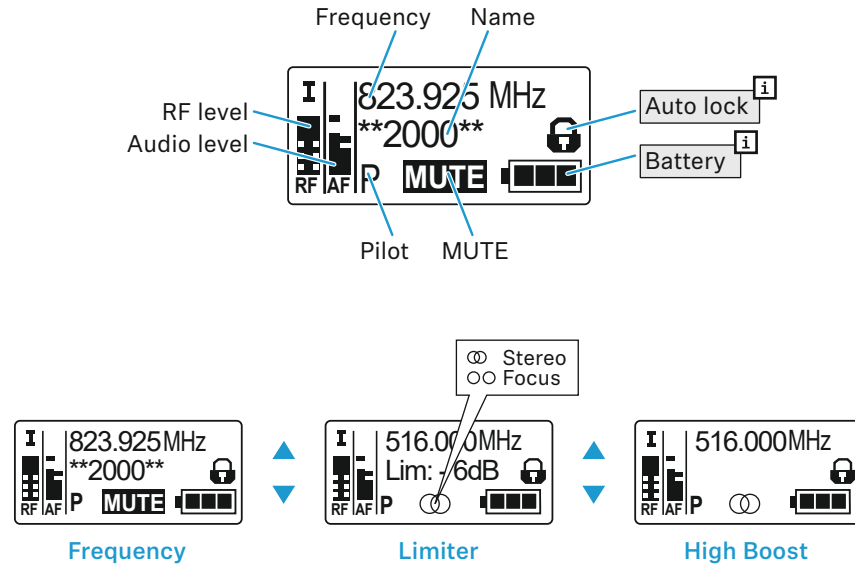
Operating elements



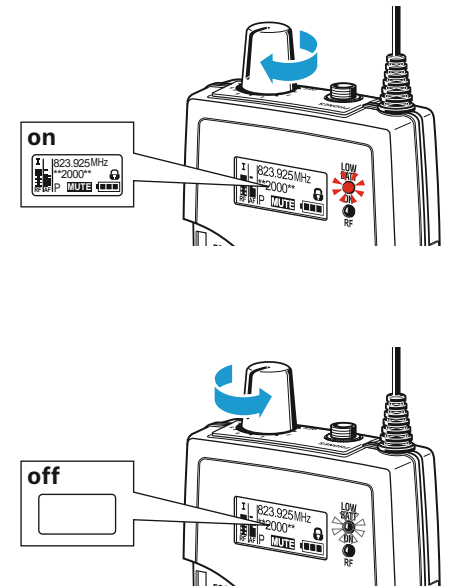
Battery



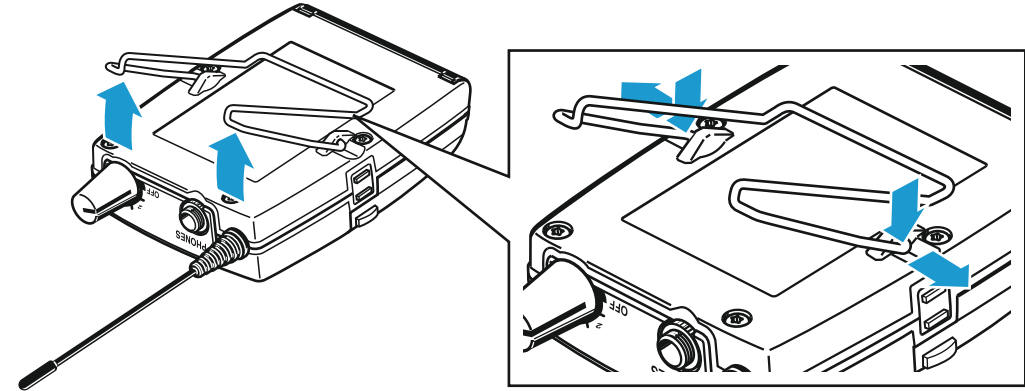
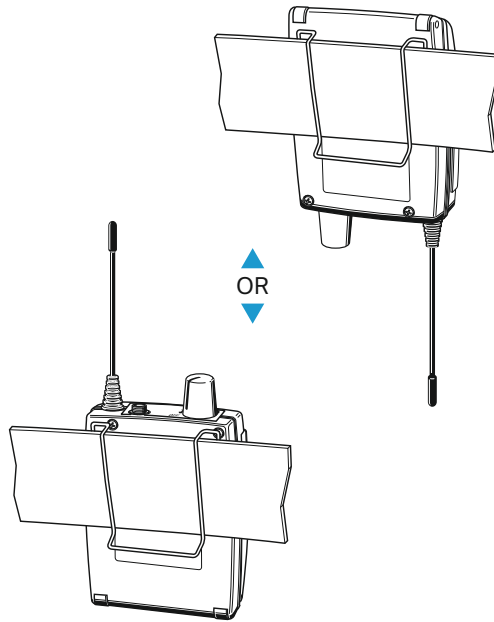
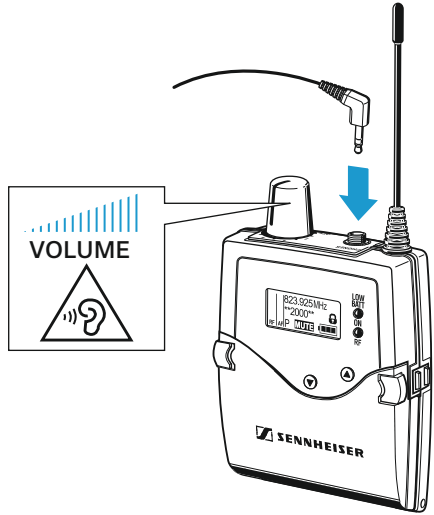
Home screens



On/Off



Setup



Menu

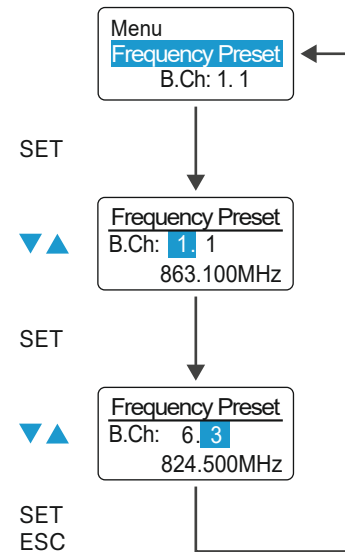
Main menu „Menu“

Squelch
Easy Setup
Frequency Preset
Name
Balance
Mode
High Boost
Auto Lock
Advanced
Exit

Extended menu „Advanced Menu“

Tune
Pilot Tone
Limiter
Volume Boost
LCD Contrast
Engineer Mode
Reset
Software Revision
Exit

Changing settings



Auto lock

