

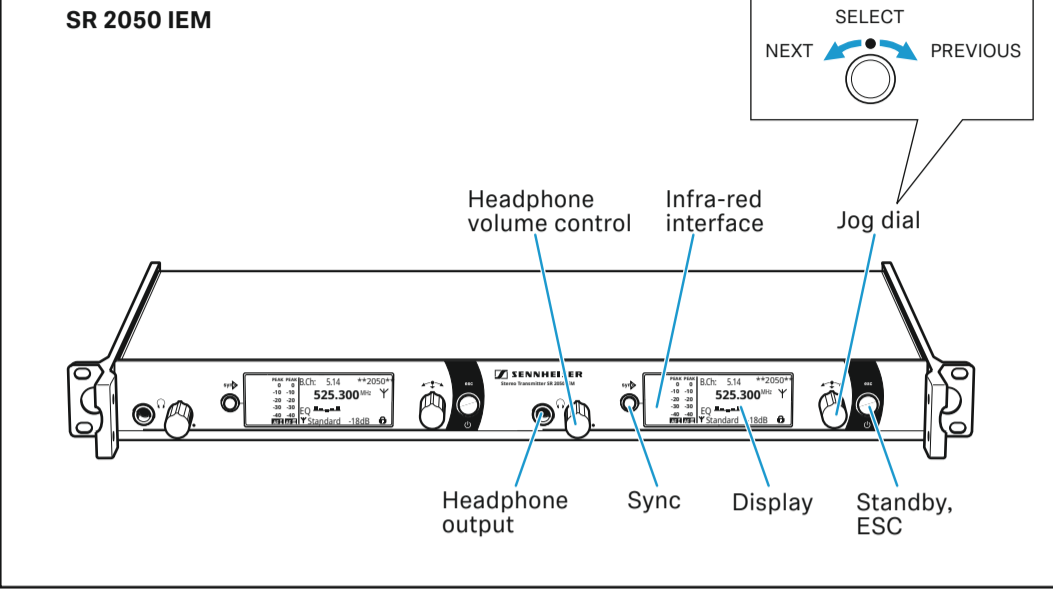


# 2000 IEM Series

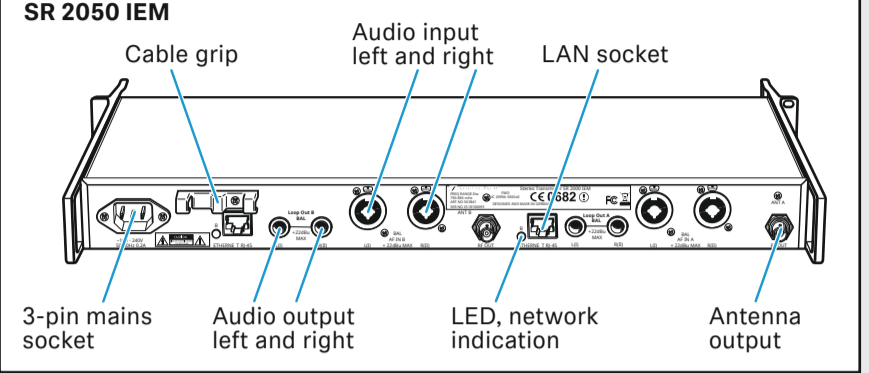
# SR 2050 IEM | EK 2000 IEM

Quick Guide | Kurzanleitung | Guide rapide | Guida rapida | Guía de inicio rápido | Guia rápido | Beknopte handleiding | Krótka instrukcja obsługi | Snabbguide | Kort vejledning | Pikaohje | Γρήγορος οδηγός | Kısa Kılavuz | Краткая инструкция | 快速指南 | 快速使用指南 | クイックガイド | 요약 설명서

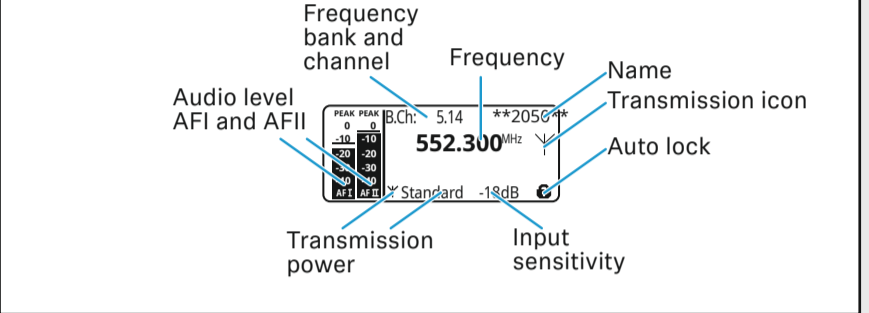
## Operating elements - front



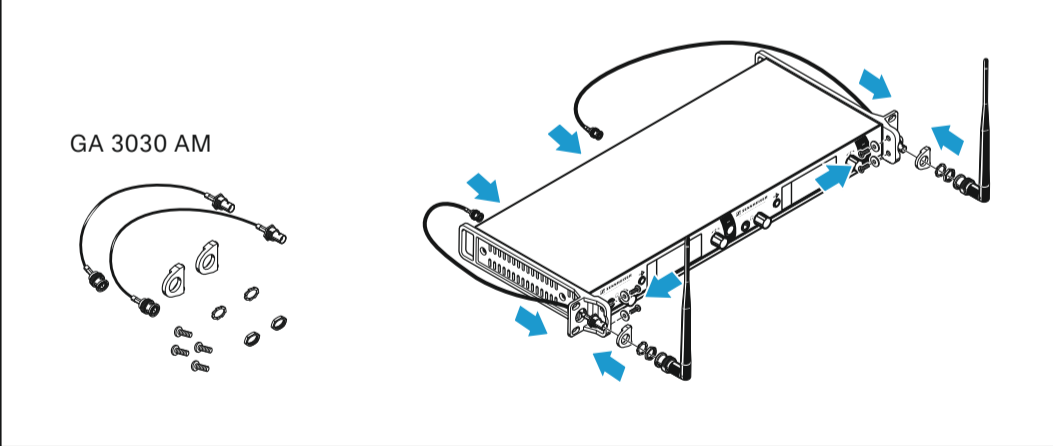
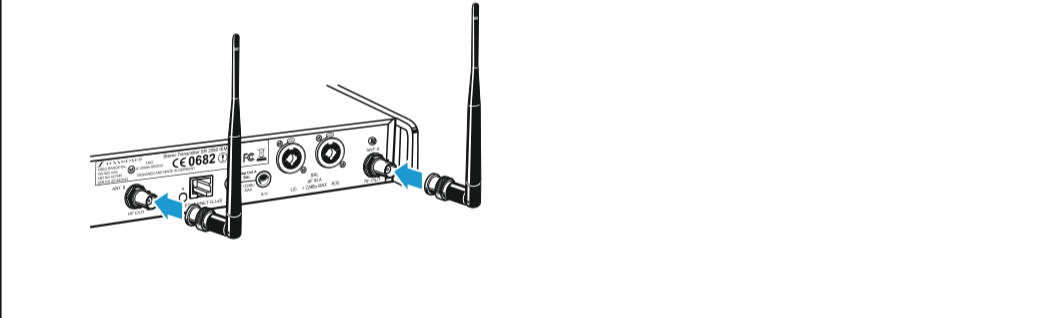
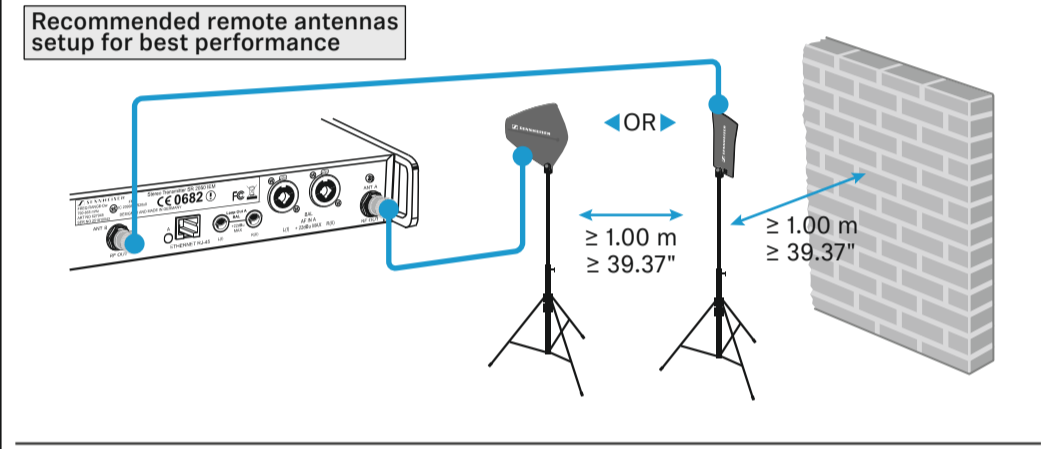
## Operating elements - back



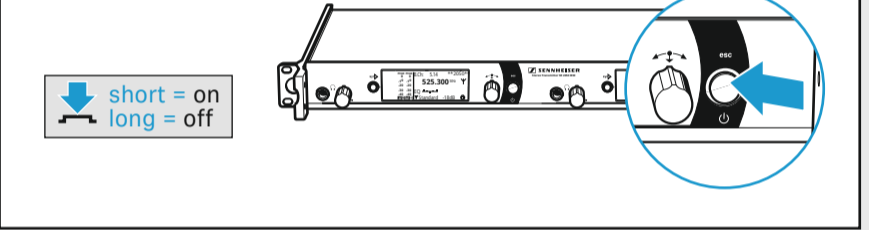
## Home screen



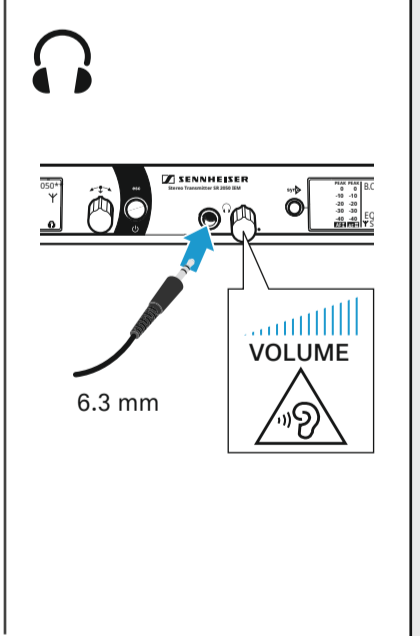
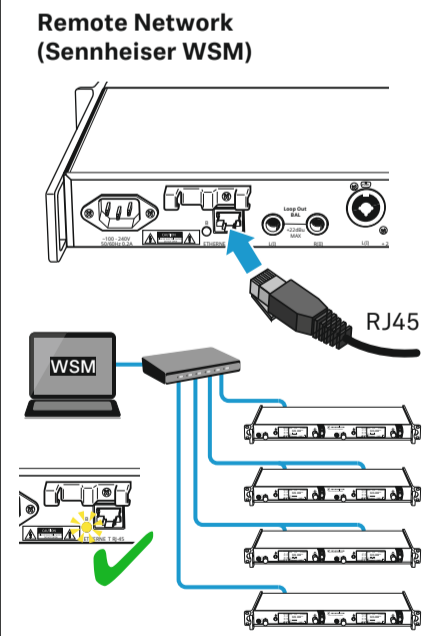
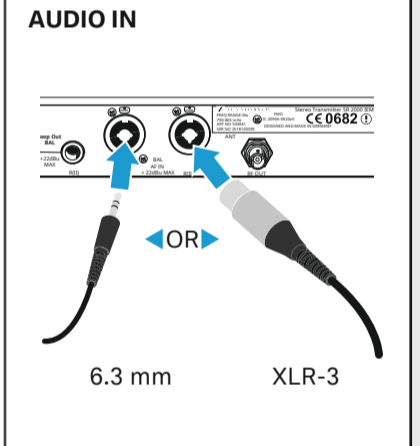
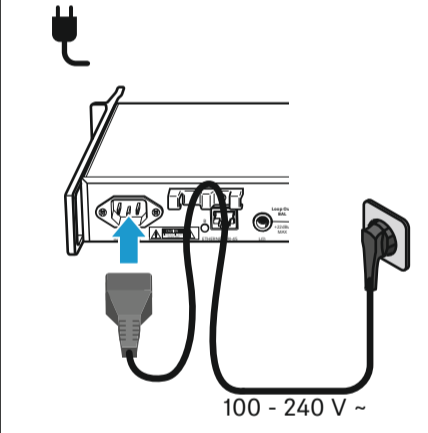
## Setup



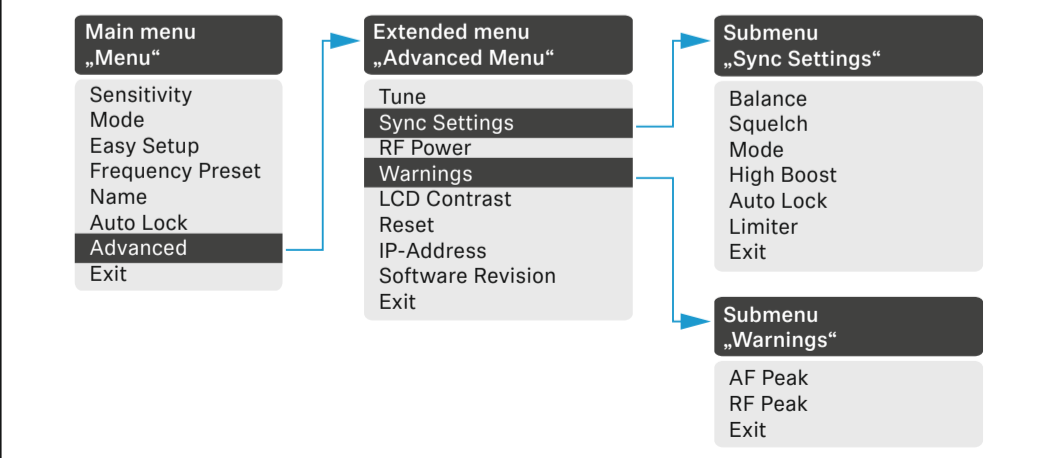
## On/Off



## Setup



## Menu



## 2000 IEM Series Instruction Manuals



### Battery

**EK 2000 IEM**

BA 2015

2x AA primary cells (alkali manganese)

CLICK!

100 %

70 %

30 %

LOW BATT

### Operating elements

### On/Off

### Setup

### Home screens

### Auto lock

### Changing settings

### Menu

**Main menu „Menu“**

- Squelch
- Easy Setup
- Frequency Preset
- Name
- Balance
- Mode
- High Boost
- Auto Lock
- Advanced
- Exit

**Extended menu „Advanced Menu“**

- Tune
- Pilot Tone
- Limiter
- Volume Boost
- LCD Contrast
- Engineer Mode
- Reset
- Software Revision
- Exit

### Sync

sync ✓

OR

sync ✗

### Daisy chaining